

冠正 缔造完美品质...
Guanzheng Create Pperfect Quality...

特种阀门系列 >> SPECIAL VALVE SERIES



Email: Oversea@valveg.com

Tel: 0086-13646585529



产品集锦 PRODUCT INTEGRATION



国标电站闸阀
National standard steam
power station gate valve



磅级电站闸阀
Pound class steam
power station gate valve



高温焊接闸阀
High temperature
weld gate valve



磅级电站止回阀
Pound class steam
power station check valve



水封闸阀
Water sealed gate valve



排渣闸阀
Residue bleed gate valve



真空闸阀
Vacuum gate valve



真空隔离闸板阀
Vacuum breaking
gate valve



磅级截止阀
Pound class globe valve



Y型截止阀
Y-type globe valve



水封截止阀
Water sealed globe valve



高温焊接截止阀
High temperature
weld globe valve



选用指南 selection guide
电站阀门型号编制方法 Model coding system of steam power station valve



冠 正 阀 门 企 业 标 志 Corporation logo of GUANZHENG group	特殊结构代号 Code of special structure	类型代号 Code of type	传动方式代号 Code of actuation type	连接形式代号 Code of connection type	结构形式代号 Code of structure type	密封副材料代号 Code of sealing face material	公称压力代号 Code of nominal pressure	阀体材料代号 Code of body material
	K-抗硫阀 Anti-sulfuric valve S-水封阀 Water sealed valve DK-真空阀 Vacuum valve P-排渣阀 Residue bleed valve	Z-闸阀 Gate valve J-截止阀 Globe valve H-止回阀 Check valve	手动省略 code omitted for manual operation 3-蜗轮传动 Worm-gear actuator 4-正齿轮传动 Spur gear driven 5-伞齿轮传动 Bevel gear driven 6-气动 Pneumatic actuator 7-液动 Hydraulic actuator 9-电动 Electric actuator	1-内螺纹 Female screw 2-外螺纹 Male screw 4-法兰 Flange 6-焊接 Weld	闸阀 Gate valve 0-楔式弹性闸板 Wedge-shaped stretchy disc 1-楔式单闸板 Wedge-shaped single gate disc 2-楔式双闸板 Wedge-shaped double gate disc 3-平行式单闸板 Parallel single gate disc 4-平行式双闸板 Parallel double gate disc 截止阀 Globe valve 1-直通式 Trough way type 4-角式 Angle type 5-直流式 Y-globe type 6-平衡直通式 Balance through way type 7-平衡角式 Balance angle type 止回阀Check valve 1-升降直通式 Lift through way type 2-升降立式 Vertical lift type 4-旋启单瓣式 Single disc swing type 5-旋启多瓣式 Multi-disc swing type 6-旋启双瓣式 Double disc swing type	H-合金钢 Alloy steel Y-硬质合金 Hard alloy W-本体材料 Body material C-陶瓷 Ceramic	1、用MPa单位的10倍值表示 It is expressed with a value of ten times of real pressure in MPa 2、用磅级表示 It is expressed with pound class	C-WCB C1-WC1 C6-WC6 C9-WC9 P-0Cr18Ni9Ti(304) 1Cr18Ni9Ti(305) CF8,CF3 R-1Cr18Ni12Mo2Ti I-Cr5Mo 20CrMo 35CrMo V-12Cr1MoV 15Cr1Mo1V 20Cr1Mo1V



阀门产品制造与验收技术标准 Valves manufacturing & inspection technical standards

- 制造验收技术按日本火力发电用阀门标准E101和我国 JB 3595的规定。
- 阀门结构长度按E101和我国 JB 3595的规定。
- 阀体焊接坡口按ANSI B16.25的规定或按用户提供尺寸。
- 壳体材料化学成分、机械性能符合美国材料协会ASTM标准的规定。
- 壳体铸件无损检验标准；放射性透视检查按 JIS G 0581（铸钢件的射线透视检查方法及透视片的等级分类方法）的规定。
- 超声波控伤检查按 JIS Z 2344（金属材料超声波探伤检验方法）的规定。
- 磁粉探伤检查按 JIS G 0565（钢铁材料磁粉控伤检查方法及表示缺陷的磁粉显示等级分类）的规定。
- 密封面、焊接坡口浸透探伤检查按 JIS Z 2343（浸透探伤检查方法及表示缺陷显示等级分类）的规定。
- 壳体强度及密封试验标准按E101和我国 JB 3595的规定。
- Manufacture & inspection technique according to Japanese valve standard E101 for thermal power plant application and JB 3595 for our country.
- Face-to-face: according to E101 and JB 3595 for our country.
- Body grooves: according to ANSI 16.25 or to user's dimensions.
- Housing chemical ingredients, mechanical properties comply with ASTM code.
- Cast housing has no damage inspection standard; redioactive.
- Ultra-sonil flow detection: according to JIS Z 0565.
- Magnetic powder flaw detection: according to JIS G 0565.
- Sealing faces, welding groves immersion flow detection: according to JIS Z 2343.
- Housing strength and sealing testing: according to E 101 and JB 3595 for our country.

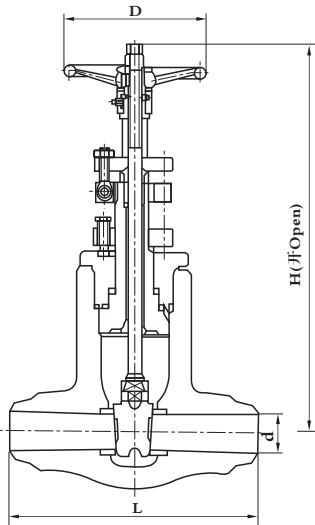
火电站阀门应用规范 Thermal power plant valve specification

火电站规范 Thermal power plant specification	主蒸汽 Main steam		汽轮机 Turbine	初温再热温度 Original and re- heating temperature	给水系统 Feed wafer system	
	温度·压力 Temperature pressure	选用压力级·材料 Applied pressure material	温度·压力 Temperature pressure	选用压力级·材料 Applied pressure material	压力规范 Pressure spec.	选用压力级·材料 Applied pressure material
20万KW 200KKW	P ₅₄ 140	2500Lb WC9	P ₅₃ 130	2500Lb WC6	PN 250	1500Lb WCB
30万KW 300KKW	P ₅₄ 170	3000Lb WC9	P ₅₃ 165	2500Lb WC9	PN 250	1500Lb WCB
	P ₅₅ 170	3500Lb WC9			PN 320	2000Lb WCB
60万KW 600KKW	P ₅₄ 195	3500Lb WC9	P ₅₃ 160	2500Lb WC9	PN 320	2000Lb WCB

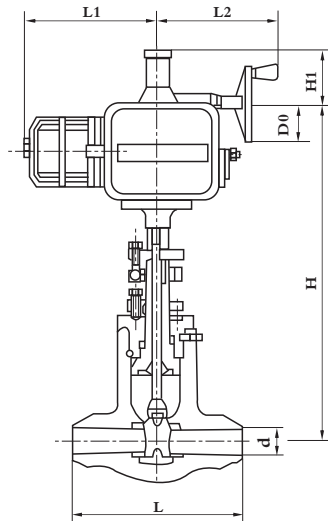
- 60万KW主蒸汽温度546℃，汽轮机初温度537℃，按本规定推荐的阀门均为I类阀。
- 600KKW Main steam temperature 546℃, turbine original temperature 537℃ valves recommended by this catalogue are all I type ones.



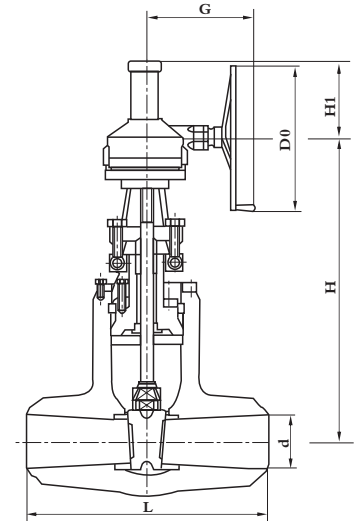
磅级高温高压电站闸阀 Pound class high temperature and high pressure steam power station gate valve



手动闸阀
Manual gate valve



电动闸阀
Electric actuator gate valve



齿轮传动闸阀
Bevel gear operated gate valve

标准与规范 Standard and specifications

设计与制造 Design and manufacture	结构长度 Face-to-face length	焊接端 Welding end	试验与检验 Test and checking
API600、ANSI B16.34、E101	ANSI B16.10、E101	ANSI B16.25或按用户要求 ANSI B16.25 or user's request	API 598、E101

性能规范 Property specifications

阀体材料 Body material	试验压力 PS (MPa) Test pressure								工作温度(°C) Working temperature	压力级 Class				适用介质 Suitable media
	1500Lb		2000Lb		2500Lb		3500Lb			1500Lb	2000Lb	2500Lb	3500Lb	
	阀体 Body	密封 Sealing	阀体 Body	密封 Sealing	阀体 Body	密封 Sealing	阀体 Body	密封 Sealing		工作压力(MPa) Working pressure				
ASTM A216WCB	39.0	28.6	52.1	38.2	65.1	47.7	91.1	66.8	38	26.0	34.7	43.4	60.7	水、蒸气 Water, steam
									427	14.5	19.3	24.1	33.7	
ASTM A217WC1	36.6	26.8	48.8	35.8	61.1	44.8	85.5	62.7	38	24.4	32.5	40.7	57.0	
									454	17.1	22.8	28.5	40.0	
ASTM A217WC6	39.6	29.0	52.8	38.7	65.9	48.3	92.3	67.7	38	26.4	35.2	43.9	61.5	
									552	6.3	8.45	10.6	14.4	
ASTM A217WC9	39.6	29.0	52.8	38.7	65.9	48.3	92.3	67.7	38	26.4	35.2	43.9	61.5	
									593	4.0	5.3	6.6	9.3	

主要零件材料 Material of main parts

零件名称 Name of parts	材料 Material				
阀体 Body	WCB	WC1	WC6	WC9	ZGCr5Mo
阀盖 Bonnet	35	12Cr1MoV	12Cr1MoV	12Cr1MoV	35CrMo
支架 Yoke	WCB	WCB	WCB	WCB	WCB
闸板 Disc	WCB	WC1	WC6	WC9	ZGCr5Mo
阀杆 Stem	2Cr13	25Cr2MoV	25Cr2MoV	25Cr2MoV	25Cr2MoV
阀座 Seat	25	304	304	304	304
密封环 Sealing ring	增强柔性石墨 Reinforced soft graphite				
填料 Packing	增强柔性石墨 Reinforced soft graphite				
阀杆螺母 Yoke nut	ZCuAl10Fe3				



手动闸阀产品型号规格和外形尺寸

Product model, specification and outline dimensions of manual gate valve

型号 Type	规格(in) Specification	尺寸 Dimensions(mm)				重量 Weight (Kg)
		d	L	H	D0	
Z60Y-1500Lb	2 1/2	56	254	671	200	48
	3	64	305	692	200	58
	4	84	406	790	230	98
	5	100	483	875	260	126
	6	126	559	1055	360	212
	8	158	711	1148	410	377
Z60Y-2000Lb	2 1/2	50	330	640	200	50
	3	60	368	690	230	82
	4	80	457	806	260	134
	5	96	533	984	360	174
	6	118	610	1090	410	338
Z60Y-2500Lb	2 1/2	46	330	639	200	70
	3	54	368	680	230	90
	4	70	457	805	260	142
	5	86	533	965	360	191
	6	104	610	1070	410	339
Z60Y-3500Lb	3	44	440	745	260	196
	4	56	540	860	300	283

电动闸阀产品型号规格和外形尺寸

Product model, specification and outline dimensions of electric gate valve

型号 Type	规格(in) Specification	尺寸 Dimensions(mm)							电装型号 Type of electric actuator	重量 Weight (Kg)
		d	L	H	H1	D0	L1	L2		
Z960Y-1500Lb	2 1/2	56	254	520	262	200	140	243	SMC-04	93
	3	64	305	523	262	200	140	243	SMC-04	110
	4	84	406	599	319	508	198	281	SMC-03	168
				599	320	305	400	555	SMC-00	208
	5	100	483	678	319	508	198	281	SMC-03	189
				678	320	305	400	555	SMC-00	232
	6	126	559	793	389	305	410	565	SMC-0	358
				793	402	305	420	655	SMC-1	444
	8	158	711	813	389	305	410	565	SMC-0	517
				813	414	305	420	655	SMC-1	561
	10	200	864	998	490	457	440	688	SMC-2	852
				988	464	305	420	655	SMC-1	823
	12	250	991	1141	514	305	420	655	SMC-1	1122
				1156	560	457	440	688	SMC-2	1150
	14	280	1067	1249	656	610	690	SMC-3	1765	
	16	318	1194	1351	697	610	690	SMC-3	2429	
	18	360	1346	1535	710	610	690		SMC-3	2454
				1540	760	610	715		SMC-4	2524
	20	406	1473	1726	820	610	690		SMC-3	3334
				1731	890	610	715		SMC-4	3380
	22	450	1600	1921	854	610	690		SMC-3	4409
				1926	945	610	715		SMC-4	4648



电动闸阀产品型号规格和外形尺寸
Product model, specification and outline dimensions of electric gate valve

型号 Type	规格 (in) Specification	尺寸 Dimensions(mm)							电装型号 Type of electric actuator	重量 Weight (Kg)
		d	L	H	H1	D0	L1	L2		
Z960Y-2000Lb	2 1/2	50	330	540	262	200	140	243	SMC-04	202
	3	60	368	558	294	508	198	332	SMC-03	140
	4	80	457	654	320	305	400	555	SMC-00	245
	5	96	533	780	340	305	400	555	SMC-00	280
				780	389	305	410	565	SMC-0	323
	6	118	610	830	389	305	410	565	SMC-0	419
	8	148	762	960	389	305	410	565	SMC-0	626
				960	418	305	420	655	SMC-1	715
	10	180	914	1020	480	305	420	655	SMC-1	1020
				1024	485	457	440	688	SMC-2	1050
	12	222	1041	1150	600	457	440	688	SMC-2	1320
				1166	650	610	690		SMC-3	1358
	14	254	1118	1230	640	457	440	688	SMC-2	1810
				1240	690	610	690		SMC-3	1840
16	294	1245	1330	720	610	690		SMC-3	2270	
			1350	740	610	715		SMC-4	2300	
Z960Y-2500Lb	2 1/2	46	330	533	309	508	198	332	SMC-03	143
				533	262	200	140	243	SMC-04	116
	3	54	368	549	287	508	198	332	SMC-03	160
				549	240	200	140	243	SMC-04	134
	4	70	457	644	309	580	198	332	SMC-03	251
				653	389	305	410	565	SMC-0	294
	5	86	533	760	360	305	400	555	SMC-00	324
				774	389	305	410	565	SMC-0	341
	6	104	610	850	360	305	400	555	SMC-00	479
				861	389	305	410	565	SMC-0	564
	8	130	762	847	389	305	410	565	SMC-0	725
				860	414	305	420	655	SMC-1	750
	10	162	914	1020	418	305	420	655	SMC-1	1152
				1050	500	610	690		SMC-3	1220
	12	210	1041	1125	660	457	440	688	SMC-2	1520
				1149	720	610	690		SMC-3	1558
	14	234	1118	1221	720	610	690		SMC-3	1869
				1390	720	610	690		SMC-3	2826
16	264	1245	1395	790	610	715		SMC-4	3084	
Z960Y-3500Lb	3	44	440	620	297	508	198	332	SMC-03	269
				623	336	305	400	555	SMC-00	305
	4	56	540	721	336	305	400	555	SMC-00	398
				730	370	305	410	565	SMC-0	437
	5	74	616	796	370	305	410	565	SMC-0	507
				796	405	305	420	655	SMC-1	592
	6	88	692	857	370	305	410	565	SMC-0	605
				857	405	305	420	655	SMC-1	691
	8	116	846	1041	405	305	420	655	SMC-1	1088
				1051	445	457	440	688	SMC-2	1179
	10	142	1000	1197	445	457	440	688	SMC-2	1733
				1207	496	610	690		SMC-3	2031
	12	174	1124	1338	496	610	690		SMC-3	2708
				1455	670	610	715		SMC-4	3180
	14	196	1219	1440	600	610	690		SMC-3	3131
				1915	780	610	715		SMC-4	4560



伞齿轮传动闸阀产品型号规格和外形尺寸
Product model, specification and outline dimensions of bevel gear gate valve

型号 Type	规格(in) Specification	尺寸 Dimensions(mm)						伞齿轮装置型号 Type of bevel gear actuator	重量 Weight (Kg)
		d	L	H	H1	G	D0		
Z560Y-1500Lb	8	158	711	813	325	427	460	BA-1	418
	10	200	864	998	450	427	460	BA-1	725
	12	250	991	1156	475	512	610	BA-2	1036
	14	280	1067	1287	507	554	760	BA-3	1358
	16	318	1194	1413	581	554	760	BA-3	1777
	18	360	1346	1535	615	554	760	BA-3	2359
	20	406	1473	1726	720	554	760	BA-3	3243
	22	450	1600	1926	753	554	760	BA-3	4010
Z560Y-2000Lb	8	148	762	935	250	357	310	BA-0	602
				945	260	427	460	BA-1	625
	10	180	914	1050	410	427	460	BA-1	886
				1050	480	512	610	BA-2	1187
	12	222	1041	1150	480	512	610	BA-2	1265
				1166	520	554	760	BA-3	1475
	14	254	1118	1231	523	512	610	BA-2	1579
				1240	540	554	760	BA-3	1990
	16	294	1245	1330	530	512	610	BA-2	2100
				1350	560	554	760	BA-3	340
Z560Y-2500Lb	6	127	610	928	210	357	310	BA-0	617
	8	130	762	851	334	357	310	BA-0	648
				851	354	427	460	BA-1	1023
	10	162	914	1031	454	427	460	BA-1	1086
				1031	434	512	610	BA-2	1415
	12	210	1041	1166	495	512	610	BA-2	1488
				1188	500	554	760	BA-3	1684
	14	234	1118	1217	523	512	610	BA-2	1787
				1227	562	554	760	BA-3	2318
	16	364	1245	1381	545	512	610	BA-2	2428
1381				573	554	760	BA-3	391	
Z560Y-3500Lb	5	74	616	774	251	357	310	BA-0	417
				774	271	427	460	BA-1	493
	6	88	692	857	251	357	310	BA-0	916
				857	271	427	460	BA-1	916
	8	116	846	1041	271	427	460	BA-1	1527
				1051	341	512	610	BA-2	1527
	10	142	1000	1197	341	512	610	BA-2	1629
				1207	385	554	760	BA-3	2197
	12	174	1124	1338	341	512	610	BA-2	2309
				1348	385	554	760	BA-3	



国标电站闸阀 National standard steam power station gate valve
标准与规范 Standard and specifications

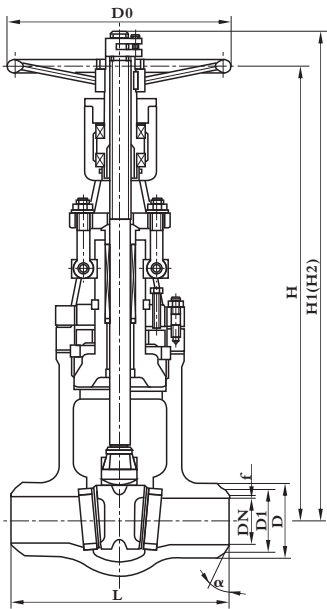
设计与制造 Design and manufacture	结构长度 Face-to-face length	焊接端 Welding end	试验与检验 Test and checking
E101、JB/T 3595-1993	E101、JB/T 2766-1992 GB/T 15188.1-1994	ANSI B16.25或按用户要求 ANSI B16.25 or user's request	E101、JB/T 3595-1993

性能规范 Property specifications

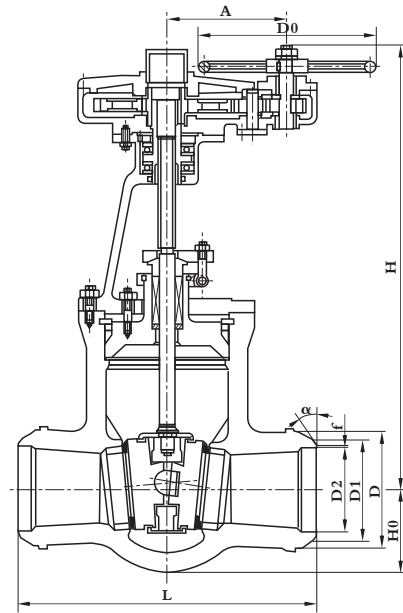
公称压力 Nominal pressure PN(MPa)	试验压力 PS (MPa) Test pressure		适用温度(°C) Suitable temperature	适用介质 Suitable media
	强度试验 Intensity test	密封试验 Sealing test		
20.0	30	22	≤425	水、蒸气、油品 Water, steam, oil
25.0	37.5	27.5		
P ₅₄ 100	30	11	≤540	
P ₅₄ 140	42	15.4		
P ₅₄ 170	48	18.7		

主要零件材料 Material of main parts

零件名称 Name of parts	材料 Material		
阀体 Body	WCB A105	WC6 12Cr1MoV	WC9 12Cr1MoV
阀盖 Bonnet	WCB 35	WC6 12Cr1MoV	WC6 12Cr1MoV
支架 Yoke	WCB	WCB	WCB
闸板 Wedge disc	WCB	WC6	WC9
阀杆 Stem	2Cr13	25Cr2MoV 20Cr1Mo1V1A	25Cr2MoV 20Cr1Mo1V1A
阀座 Seat	25	304	304
密封环 Sealing ring	包覆垫,增强柔性石墨 Jacket gasket, reinforced soft graphite		
填料 Packing	增强柔性石墨 Reinforced soft graphite		
阀杆螺母 Yoke nut	ZCuAl10Fe3		



手动楔式闸阀
Manual wedge gate valve



正齿轮传动楔式闸阀
Spur gear driven wedge gate valve

手动楔式闸阀产品型号规格和外形尺寸

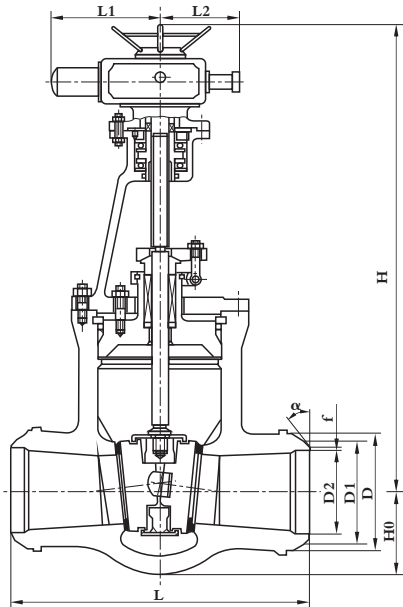
Product model, specification and outline dimensions of manual wedge gate valve

型号 Type	规格(mm) Specification	尺寸 Dimensions(mm)									W (Kg)
		L	D1	D	α	f	H	H1	H2	D0	
Z60Y-P ₅₄ 170C ₉	100	550	133	180	37.5°	1.5	853	898	1025	450	257

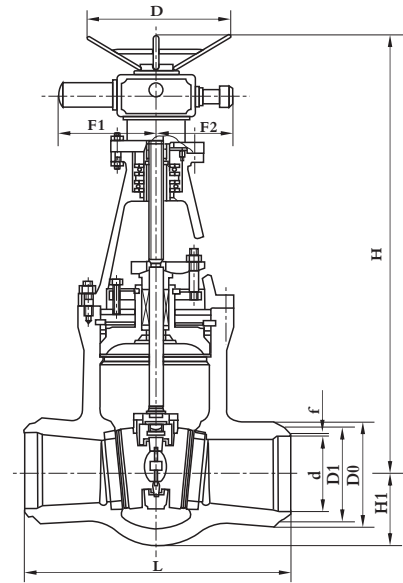
正齿轮传动楔式闸阀产品型号规格和尺寸

Product model, specification and outline dimensions of spur gear driven wedge gate valve

型号 Type	规格(mm) Specification	尺寸 Dimensions(mm)										W (Kg)
		L	D	D1	D2	f	α	H0	H	A	D0	
Z462H-P ₅₄ 100C ₉	225	850	305	273	233	1.5	37.5°	205	1188	346	500	702
	200	800	260	245	205	1.5	37.5°	164	1070	346	500	514
Z462 ^H _Y -200	250	900	355	313	275	1.5	37.5°	205	1185	346	500	641



电动楔式双闸板闸阀
Electric actuator wedge double disc gate valve



电动高温闸阀
Electric actuator high temperature gate valve

电动楔式双闸板闸阀产品型号规格和尺寸

Product model, specification and outline dimensions of electric actuator wedge double-disc gate valve

型号 Type	规格(mm) Specification	尺寸 Dimensions(mm)										电装型号 Electric actuator type	W (Kg)
		L	D	D1	D2	f	α	H	H0	L1	L2		
Z962Y-200	175	750	238	219	184	1.5	37.5°	1485	170	453	420	DZ180A	643
Z962H-200	200	800	260	245	205	1.5	37.5°	1431	164	526	283	DZ120B(I)	524
Z962Y-200	225	850	305	273	229	1.5	37.5°	1652	205	453	420	DZ250A	866
Z962H-250	300	1200	420	377	305	1.5	37.5°	1854	255	762	400	DZ90B	1500

电动高温闸阀产品型号规格和外形尺寸

Product model, specification and outline dimensions of electric actuator high temperature gate valve

型号 Type	规格(mm) Specification	尺寸 Dimensions(mm)										电装型号 Electric actuator type	W (Kg)
		d	D	L	H	D0	D1	f	H1	F1	F2		
Z962H-P ₅₄ 140 ^{C₆} _{C₉}	175	175	219	750	1485	590	310	1.5	222	560	400	DZ180A	664
	250	261	325	900	1781	850	256	1.5	178	453	420	DZ350A	1203



水封闸阀 Water sealed gate valve

标准与规范 Standard and specifications

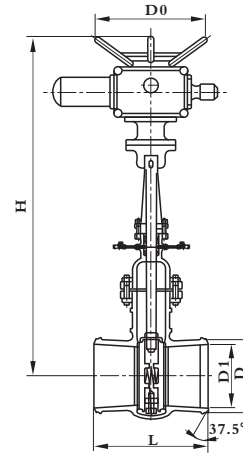
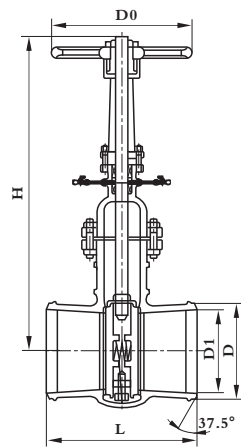
设计与制造 Design and manufacture	结构长度 Face-to-face length	焊接端 Welding end	连接法兰 Connection flange	试验与检验 Test and checking
GB/T 12234-1989	GB/T 12221-1989	GB/T 12224-1989或按用户要求 GB/T 12224-1989 or user's request	JB/T 74~90、 HG 20592~20635	GB/T 13927-1992、JB/T 9092-1999

性能规范 Property specifications

公称压力 Nominal pressure PN(MPa)	试验压力 PS (MPa) Test pressure		适用温度(°C) Suitable temperature			适用介质 Suitable media
	强度试验 Intensity test	密封试验 Sealing test	WCB	Cr5Mo	WC6	
1.6	2.4	1.8	≤425	≤540	≤540	水、油品、蒸气、 非腐蚀性气体 Water,oil,steam, non-corrosive gas
2.5	3.8	2.8				
4.0	6.0	4.4				
6.4	9.6	7.1				
10.0	15.0	11.0				

主要零件材料 Material of main parts

零件名称 Name of parts	材料 Material		
阀体 Body	WCB	WC6	Cr5Mo
阀盖 Bonnet	WCB	WC6	Cr5Mo
支架 Yoke	WCB	WC6	Cr5Mo
闸板 Disc	WCB	WC6	Cr5Mo
阀杆 Stem	2Cr13	25Cr2MoV 38CrMoAl	25Cr2MoV 38CrMoAl
阀座 Seat	25	304	304
密封环 Sealing ring	增强柔性石墨 Reinforced soft graphite		
填料 Packing	增强柔性石墨 Reinforced soft graphite		
阀杆螺母 Yoke nut	ZCuAl10Fe3		



产品型号规格和外形尺寸 Product model specification and outline dimensions

型号 Type	规格(in) Specification	尺寸 Dimensions(mm)							
		L	D	D1	D0	H (手动Manual)	W(Kg) (手动Manual)	H (电动Electric)	W(Kg) (电动Electric)
SZ64 _H ^Y -16C _I ^C	50	250	58	50	250	334	19	620	50
	65	270	75	65	250	439	32	714	63
	80	280	91	79	300	495	34	765	65
	100	300	110	97	350	575	44	840	75
	125	325	136	121	350	587	75	852	106
	150	350	163	146	350	607	82	875	113
	200	400	223	202	400	740	158	1015	189
	250	450	278	254	400	863	184	1125	214
	300	500	330	305	400	990	245	1371	353
	350	550	382	352	500	1137	492	1485	602
	400	600	432	399	500	1523	588	1890	698
	450	650	485	451	600	1618	683	1989	713
	500	700	535	501	600	1657	846	2041	881
600	800	636	601	700	1746	1013	2285	1250	
700	900	726	691	-	-	-	2347	1938	
800	1000	826	791	-	-	-	2593	2563	
SZ64 _H ^Y / ₂₅	50	250	64	49	250	334	23	620	54
	65	270	82	67	250	439	35	714	66
	80	280	95	77	300	495	37	765	68
	100	300	117	101	350	575	49	840	80
	125	325	144	126	350	587	78	852	109
	150	350	172	158	350	607	105	875	146
	200	400	223	202	400	740	160	1015	191
	250	450	278	254	400	863	188	1125	219
	300	500	330	305	400	990	249	1371	357
	350	550	382	352	500	1137	497	1485	607
	400	600	432	399	500	1523	592	1890	705
	450	650	485	451	600	1618	688	1989	720
	500	700	535	499	600	1657	853	2041	888
600	800	636	599	700	1746	1020	2285	1275	
700	900	726	689	-	-	-	2347	1946	
800	1000	826	789	-	-	-	2593	2574	
SZ964 _H ^Y / ₂₅ ^{C₆} _I	50	250	64	49	250	334	23	620	54
	65	270	82	67	250	439	35	714	66
	80	280	95	77	300	495	37	765	68
	100	300	117	101	350	575	49	840	80
	125	325	144	126	350	587	78	852	109
	150	350	172	158	350	607	105	875	146
	200	400	223	202	400	740	160	1015	191
	250	450	278	254	400	863	188	1125	219
	300	500	330	305	400	990	249	1371	357
	350	550	382	352	500	1137	497	1485	607
	400	600	432	399	500	1523	592	1890	705
	450	650	485	451	600	1618	688	1989	720
	500	700	535	499	600	1657	853	2041	888
600	800	636	599	700	1746	1020	2285	1275	
700	900	726	689	-	-	-	2347	1946	
800	1000	826	789	-	-	-	2593	2574	

注：本公司还可按用户要求配置气动或齿轮传动装置。

Notes: Pneumatic or gear actuator can be equipped according to user's requirement by our company.

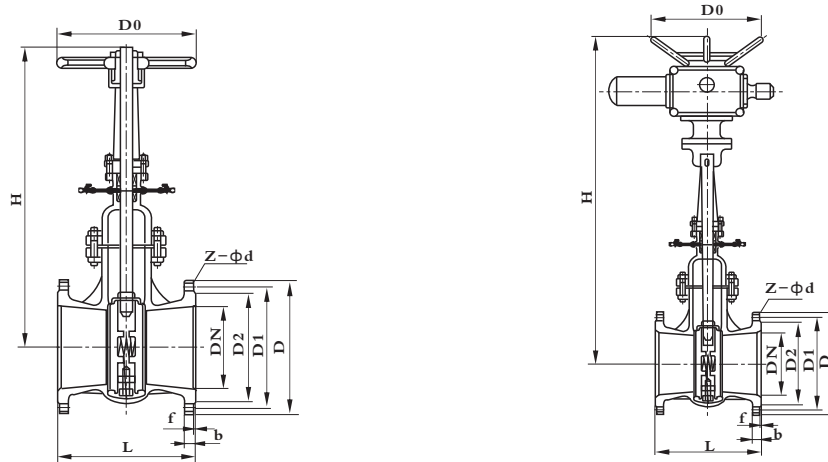


产品型号规格和外形尺寸 Product model specification and outline dimensions

型号 Type	规格(in) Specification	尺寸 Dimensions(mm)							
		L	D	D1	D0	H (手动Manual)	W(Kg) (手动Manual)	H (电动Electric)	W(Kg) (电动Electric)
SZ64 _H ^Y -40	50	250	64	49	300	345	30	620	56
	65	270	83	67	300	441	38	714	68
	80	280	96	79	350	495	42	767	73
	100	300	117	101	350	575	52	845	82
SZ64 _H ^Y -40 _I ^{C6}	125	325	144	126	400	587	80	852	108
	150	350	172	152	400	607	107	872	117
SZ964 _H ^Y -40	200	400	223	200	450	740	164	1015	193
	250	450	278	252	550	863	191	1215	217
SZ964 _H ^Y -40 _I ^{C6}	300	500	330	302	650	1008	254	1371	357
	350	550	382	350	750	1142	499	1507	624
	400	650	432	397	850	1527	598	1912	701
	50	250	64	50	300	350	34	622	58
SZ64 _H ^Y -64	65	270	83	66	300	447	41	718	71
	80	280	96	77	350	499	45	770	74
	100	300	117	99	400	582	55	845	85
SZ64 _H ^Y -64 _I ^{C6}	125	325	144	129	400	590	83	852	111
	150	350	172	150	450	611	110	875	117
SZ964 _H ^Y -64	200	400	223	198	550	745	169	1105	193
	250	450	278	246	650	867	195	1215	222
SZ964 _H ^Y -64 _I ^{C6}	300	500	330	294	750	1008	260	1424	362
	350	550	382	342	800	1148	504	1507	631
	400	650	432	387	900	1531	604	2075	713
SZ64 _H ^Y -100	50	250	64	49	300	350	37	622	58
	65	270	83	64	300	447	44	718	71
	80	280	96	75	350	499	47	770	77
	100	300	117	97	400	582	58	845	89
SZ64 _H ^Y -100 _I ^{C6}	125	325	144	125	400	290	83	852	113
	150	350	172	145	450	611	113	965	122
SZ964 _H ^Y -100	200	400	223	190	550	747	172	1105	195
	250	450	278	236	650	869	198	1237	235
SZ964 _H ^Y -100 _I ^{C6}	300	500	330	282	750	1013	265	1424	370
	350	550	382	334	850	1148	508	1670	641
	400	650	432	377	950	1533	610	2075	725

注：本公司还可按用户要求配置气动或齿轮传动装置。

Notes:Pneumatic or gear actuator can be equipped according to user's requirement by our company.

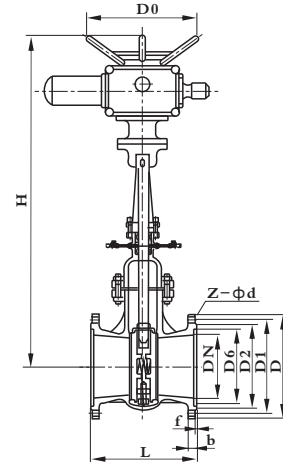
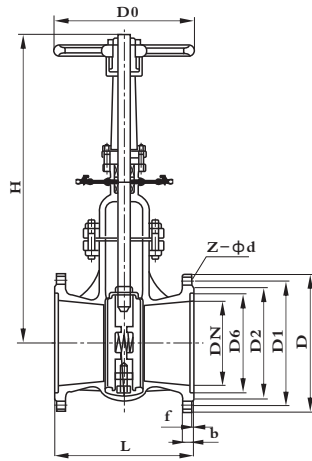


产品型号规格和外形尺寸 Product model specification and outline dimensions

型号 Type	规格(in) Specification	尺寸 Dimensions(mm)											
		L	D	D1	D2	b	f	Z-φd	H (手动Manual)	D0	W(Kg) (手动Manual)	H (电动Electric)	W(Kg) (电动Electric)
SZ44 _H ^Y -16C _I ^{C6}	50	250	160	125	100	20	3	4-φ18	330	250	23	620	51
	65	270	180	145	120	20	3	4-φ18	435	250	35	714	62
	80	280	195	160	135	22	3	8-φ18	491	300	37	765	65
	100	300	215	180	155	24	3	8-φ18	571	350	49	840	77
	125	325	245	210	185	26	3	8-φ18	582	350	81	852	109
	150	350	280	240	210	28	3	8-φ23	603	350	103	875	130
	200	400	335	195	265	30	3	12-φ23	737	400	162	1015	189
	250	450	405	355	320	32	3	12-φ25	860	400	190	1135	216
	300	500	460	410	375	34	4	12-φ25	990	450	252	1371	355
	350	550	520	470	435	38	4	16-φ25	1131	500	499	1485	605
	400	600	580	525	485	40	4	12-φ30	1520	500	600	1890	702
	450	650	640	585	545	44	4	20-φ30	1612	600	695	1989	819
	500	700	705	650	608	46	4	20-φ34	1660	600	856	2040	980
	600	800	840	770	718	54	5	20-φ41	1739	700	1025	2283	1255
800	900	910	840	788	54	5	24-φ41	1745	750	1749	2347	1983	
SZ44 _H ^Y -25	50	250	160	125	100	20	3	4-φ18	330	250	23	620	51
	65	270	180	145	120	22	3	8-φ18	435	250	35	714	62
	80	280	195	160	135	22	3	8-φ18	491	300	37	765	65
	100	300	230	190	160	24	3	8-φ23	573	350	52	840	81
	125	325	270	220	188	28	3	8-φ25	582	350	85	852	114
	150	350	300	250	218	30	3	8-φ25	605	350	107	875	135
	200	400	360	310	278	34	3	12-φ25	739	400	167	1015	193
	250	450	425	370	332	36	3	12-φ30	862	400	196	1135	221
	300	500	485	430	390	40	4	16-φ30	990	450	261	1371	362
	350	550	550	490	448	44	4	16-φ34	1139	500	506	1485	613
	400	600	610	550	505	48	4	16-φ34	1523	500	618	1912	843
	450	650	660	600	555	50	4	20-φ34	1612	600	703	1989	928
	500	700	730	660	610	52	4	20-φ41	1662	600	864	2040	1011
	600	800	840	770	718	56	5	20-φ41	1742	700	1056	2283	1263
700	900	955	875	815	60	5	24-φ48	1745	750	1754	2347	1998	
800	1000	1070	990	930	64	5	24-φ48	1901	850	2335	2681	2567	

注：本公司还可按用户要求配置气动或齿轮传动装置。

Notes:Pneumatic or gear actuator can be equipped according to user's requirement by our company.



产品型号规格和外形尺寸 Product model specification and outline dimensions

型号 Type	规格(in) Specification	尺寸 Dimensions(mm)											W(Kg) (手动Manual)	H (手动Manual)	W(Kg) (电动Electric)
		L	D	D1	D2	D6	f	b	f 2	Z-φ d	H (手动Manual)	D0			
SZ4M4 _H Y-40	50	250	160	125	100	88	3	20	4	4-φ 18	330	300	27	620	55
	65	270	180	145	120	110	3	22	4	8-φ 18	435	300	38	714	65
	80	280	195	160	135	121	3	22	4	8-φ 18	491	350	42	765	70
	100	300	230	190	160	150	3	24	4.5	8-φ 23	573	350	57	840	86
SZ4M4 _H Y-40 _I C ₆	125	325	270	220	188	176	3	28	4.5	8-φ 25	582	400	91	852	120
	150	350	300	250	218	204	3	30	4.5	8-φ 25	605	400	110	875	138
	200	400	375	320	282	260	3	38	4.5	12-φ 30	739	450	169	1015	200
SZ94M4 _H Y-40	250	450	445	385	345	313	3	42	4.5	12-φ 34	862	550	207	1225	298
	300	500	510	450	408	364	4	46	4.5	16-φ 34	990	650	266	1371	383
SZ94M4 _H Y-40 _I C ₆	350	550	570	510	465	422	4	52	5	16-φ 34	1139	750	513	1507	601
	400	600	655	585	535	474	4	58	5	16-φ 41	1523	850	627	1912	866
	50	250	175	135	105	88	3	26	4	4-φ 23	337	300	30	622	58
SZ4M4 _H Y-64	65	280	200	160	130	110	3	28	4	8-φ 23	441	300	41	714	69
	80	310	210	170	140	121	3	30	4	8-φ 23	496	350	45	765	73
	100	350	250	200	168	150	3	32	4.5	8-φ 25	578	400	62	840	90
SZ4M4 _H Y-64 _I C ₆	125	400	295	240	202	176	3	36	4.5	8-φ 30	588	400	97	852	124
	150	450	340	280	240	204	3	38	4.5	8-φ 34	610	450	115	875	142
SZ94M4 _H Y-64	200	550	405	345	300	260	3	44	4.5	12-φ 34	744	550	172	1195	276
	250	650	470	400	352	313	3	48	4.5	12-φ 41	867	650	211	1225	317
SZ94M4 _H Y-64 _I C ₆	300	750	530	460	412	364	4	54	4.5	16-φ 41	996	750	271	1393	399
	350	850	595	525	475	422	4	60	5	16-φ 41	1142	850	518	1507	647
	400	950	670	585	525	474	4	66	5	16-φ 48	1537	900	633	2075	882
SZ4M4 _H Y-100	50	250	195	145	112	88	3	28	4	4-φ 25	337	300	34	622	62
	65	280	220	170	138	110	3	32	4	8-φ 25	441	300	46	714	74
	80	310	230	180	148	121	3	34	4	8-φ 25	496	350	50	765	78
SZ4M4 _H Y-100 _I C ₆	100	350	265	210	172	150	3	38	4.5	8-φ 30	578	400	67	840	95
	125	400	310	250	210	176	3	42	4.5	8-φ 34	588	400	102	852	129
	150	450	350	290	250	204	3	46	4.5	12-φ 34	610	450	121	875	221
SZ94M4 _H Y-100	200	550	430	360	312	260	3	54	4.5	12-φ 41	744	550	178	1195	285
	250	650	500	430	382	313	3	60	4.5	12-φ 41	867	650	217	1225	345
SZ94M4 _H Y-100 _I C ₆	300	750	585	500	442	364	4	70	4.5	16-φ 48	996	750	278	1393	409
	350	850	655	560	498	422	4	76	5	16-φ 54	1142	850	524	1507	773
	400	950	715	620	558	474	4	80	5	16-φ 54	1537	950	640	2075	892

注：本公司还可按用户要求配置气动或齿轮传动装置。

Notes:Pneumatic or gear actuator can be equipped according to user's requirement by our company.



排渣闸阀 Residue bleed gate valve
标准与规范 Standard and specifications

设计与制造 Design and manufacture	结构长度 Face-to-face length	连接法兰 Connection flange	试验与检验 Test and checking
GB/T 12234-1989	GB/T 12221-1989	GB/T 74-90、HG 20592~20635	GB/T 13927-1992、JB/T 9092-1999

性能规范 Property specifications

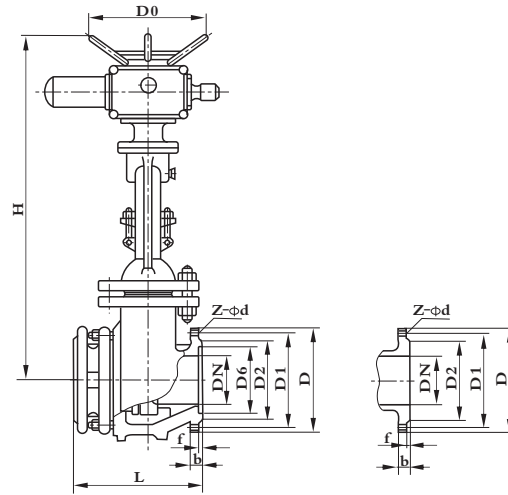
公称压力 Nominal pressure PN(MPa)	试验压力 PS (MPa) Test pressure		适用温度(°C) Suitable temperature	适用介质 Suitable media
	强度试验 Intensity test	密封试验 Sealing test		
1.6	2.4	1.8	≤100	灰水混合物, 渣水比1: 6最大粒度≤50mm Compound of ash and water, ratio of sediment and water:1:6, maximum granularity:50mm
2.5	3.8	2.8		
4.0	6.0	4.4		
6.4	9.6	7.1		

主要零件材料 Material of main parts

零件名称 Name of parts	材料 Material	
阀体 Body	WCB	
阀盖 Bonnet	WCB	
支架 Yoke	WCB	
闸板 Disc	WCB+耐磨合金 Antifriction alloy	WCB+陶瓷 Ceramic
阀杆 Stem	2Cr13	
阀座 Seat	WCB+耐磨合金 Antifriction alloy	WCB+陶瓷 Ceramic
密封环 Sealing ring	增强柔性石墨 Reinforced soft graphite	
填料 Packing	增强柔性石墨 Reinforced soft graphite	
阀杆螺母 Yoke nut	ZCuAl10Fe3	

注: 阀体及密封面可衬超高分子量聚乙烯。

Notes: Valve body and sealing faces can be lined with ultra high molecular polyethylene.



产品型号规格和外形尺寸 Product model specification and outline dimensions

型号 Type	规格(in) Specification	尺寸 Dimensions(mm)										W (Kg)
		L	D	D1	D2	D6	b	f	Z-φd	H	D0	
PZ941H-16C PZ941C-16C	50	250	160	125	100	-	16	3	4-φ18	335	250	60
	80	280	195	160	135	-	20	3	8-φ18	510	280	78
	100	300	215	180	155	-	20	3	8-φ18	685	300	96
	150	350	280	240	210	-	24	3	8-φ23	790	300	158
	200	400	335	295	265	-	26	3	12-φ23	885	350	222
	250	450	405	355	320	-	30	3	12-φ25	1015	400	289
	300	500	460	410	375	-	30	3	12-φ25	1190	450	365
	350	550	520	470	435	-	34	4	16-φ25	1350	500	558
	400	600	580	525	485	-	36	4	16-φ25	1460	500	850
	450	650	640	585	545	-	40	4	20-φ30	1620	550	1164
PZ941H-25 PZ941C-25	50	250	160	125	100	-	20	3	4-φ18	335	250	99
	80	280	195	160	135	-	22	3	8-φ18	510	280	118
	100	300	230	190	160	-	24	3	8-φ23	685	300	147
	150	350	300	250	318	-	30	3	8-φ25	790	300	204
	200	400	360	310	278	-	34	3	12-φ25	885	350	273
	250	450	425	370	332	-	36	3	12-φ30	1015	400	373
	300	500	485	430	390	-	40	3	16-φ30	1190	450	478
	350	550	550	490	448	-	44	4	16-φ34	1350	500	680
	400	600	610	550	505	-	48	4	16-φ34	1460	500	1008
	450	650	660	600	555	-	50	4	20-φ34	1620	550	1344
PZ94M1H-40 PZ94M1C-40	50	250	160	125	100	88	20	3	4-φ18	340	250	98
	80	310	195	160	135	121	22	3	8-φ18	508	300	126
	100	350	230	190	160	150	24	3	8-φ23	680	300	156
	150	450	300	250	218	204	30	3	8-φ25	800	400	228
	200	550	375	320	282	260	38	3	12-φ30	875	500	298
	250	650	445	385	345	313	42	3	12-φ34	1010	500	372
	300	750	510	450	408	364	46	3	16-φ34	1180	550	450
	350	850	570	510	465	422	52	4	16-φ34	1230	600	530
	400	950	655	585	535	474	58	4	16-φ41	1280	600	610
	450	1050	680	610	560	524	60	4	20-φ41	1415	700	690
PZ941H-64 PZ941C-64	50	250	175	135	105	-	26	3	4-φ23	340	250	142
	80	310	210	170	140	-	30	3	8-φ23	508	300	168
	100	350	250	200	168	-	32	3	8-φ25	680	300	210
	150	450	340	280	240	-	38	3	8-φ34	800	400	270
	200	550	405	345	300	-	44	3	12-φ34	875	500	367
	250	650	470	400	352	-	48	3	12-φ41	1010	500	450
	300	750	530	460	412	-	54	3	16-φ41	1180	550	532
	350	850	595	525	475	-	60	4	16-φ41	1230	600	548
	400	950	670	585	525	-	66	4	16-φ48	1280	600	615
	450	1050	715	630	570	-	70	4	20-φ48	1415	700	695
500	1150	800	705	640	-	76	4	20-φ54	1560	750	778	

注：本公司还可按用户要求配置手动或齿轮传动装置。

Notes: Manual or gear actuator can be equipped according to user's requirement by our company.



真空隔离闸板阀 Vacuum breaking gate valve
标准与规范 Standard and specifications

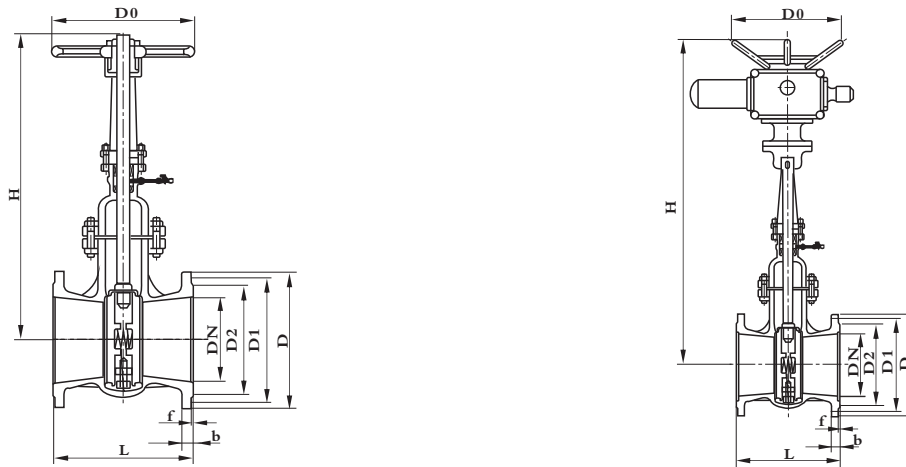
设计与制造 Design and manufacture	结构长度 Face-to-face length	连接法兰 Connection flange	试验与检验 Test and checking
JB/T 3595-1993、GB/T 12234-1989	GB/T 12221-1989	JB/T 74-90、HG 20592-20635	GB/T 13927-1992、JB/T 9092-1999

性能规范 Property specifications

公称压力 Nominal pressure PN(MPa)	试验压力 PS (MPa) Test pressure		适用温度(°C) Suitable temperature	适用介质 Suitable media
	强度试验 Intensity test	密封试验 Sealing test		
1.0	1.5	1.1	≤550	水、蒸气、带腐蚀性蒸汽 Water, steam, causticity steam
1.6	2.4	1.8		
2.5	3.8	2.8		
4.0	6.0	4.4		
6.4	9.6	7.1		
10.0	15.0	11.0		

主要零件材料 Material of main parts

零件名称 Name of parts	材料 Material		
阀体 Body	WCB	ZGCr5Mo	1Cr18Ni9Ti
阀盖 Bonnet	WCB	ZGCr5Mo	1Cr18Ni9Ti
支架 Yoke	WCB	WC6	1Cr18Ni9Ti
闸板 Disc	WCB	ZGCr5Mo	1Cr18Ni9Ti
阀杆 Stem	2Cr13	38CrMoAl	1Cr18Ni9Ti
阀座 Seat	25	304	304
密封环 Sealing ring	膨胀柔性石墨 Expansion soft graphite		
填料 Packing	膨胀柔性石墨+软金属 Expansion soft graphite+soft metal		
阀杆螺母 Yoke nut	ZCuAl10Fe3		

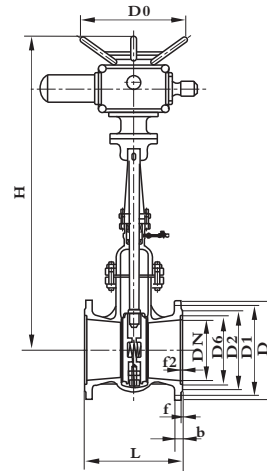
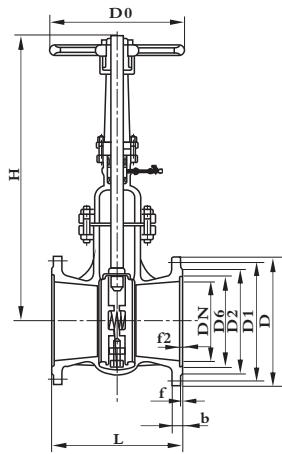


产品型号规格和外形尺寸 Product model specification and outline dimensions

型号 Type	规格(in) Specification	尺寸 Dimensions(mm)									W (Kg)	
		L	H	D	D1	D2	b	f	Z-φd	D0		
DkZ44 ^H ₋₁₀ ^I _Y ^C _P	50	250	345	160	125	100	16	3	4-φ18	250	28	
	65	270	395	180	145	120	18	3	4-φ18	250	40	
	80	280	425	195	160	135	20	3	4-φ18	300	55	
	100	300	510	215	180	155	20	3	8-φ18	300	72	
	125	325	570	245	210	185	22	3	8-φ18	350	106	
	150	350	725	280	240	210	24	3	8-φ18	350	146	
DkZ41 ^H ₋₁₀ ^I _Y ^C _P	200	400	820	335	295	265	26	3	8-φ18	400	220	
	250	450	890	390	350	320	28	3	12-φ23	400	315	
	300	500	1070	440	400	368	28	3	12-φ23	450	398	
DkZ944 ^H ₋₁₀ ^I _Y ^C _P	350	550	1320	500	460	428	30	4	16-φ23	550	530	
	400	600	1450	565	515	482	32	4	16-φ25	550	690	
	450	650	1560	615	565	532	32	4	20-φ25	600	870	
DkZ941 ^H ₋₁₀ ^I _Y ^C _P	500	700	1720	670	620	585	34	4	20-φ25	650	1080	
	600	800	1880	780	725	685	36	5	20-φ30	700	1350	
	700	900	2085	895	840	800	40	5	24-φ30	750	1950	
	800	1000	2590	1010	950	905	44	5	24-φ34	800	2500	
	800	1000	2590	1010	950	905	44	5	24-φ34	800	2500	
DkZ44 ^H ₋₁₆ ^I _Y ^C _P	50	250	345	160	125	100	16	3	4-φ18	250	28	
	65	270	395	180	145	120	18	3	4-φ18	250	40	
	80	280	425	195	160	135	20	3	8-φ18	300	58	
	100	300	510	215	180	155	20	3	8-φ18	300	75	
	125	325	570	245	210	185	22	3	8-φ18	350	110	
	150	350	725	280	240	210	24	3	8-φ23	350	150	
	DkZ41 ^H ₋₁₆ ^I _Y ^C _P	200	400	820	335	295	265	26	3	12-φ23	400	223
		250	450	890	405	355	320	30	3	12-φ25	450	326
		300	500	1070	460	410	375	30	3	12-φ25	550	432
	DkZ944 ^H ₋₁₆ ^I _Y ^C _P	350	550	1320	520	470	435	34	4	16-φ25	600	572
400		600	1450	580	525	485	36	4	16-φ30	650	740	
450		650	1560	640	585	545	40	4	20-φ30	700	955	
DkZ941 ^H ₋₁₆ ^I _Y ^C _P	500	700	1720	705	650	608	44	4	20-φ34	750	1195	
	600	800	1880	840	770	718	48	5	20-φ41	800	1455	
	700	900	2085	910	840	788	50	5	24-φ41	850	211	
	800	1000	2590	1020	950	898	52	5	24-φ41	950	2630	
DkZ41 ^H ₋₂₅ ^I _Y	50	250	345	160	125	100	20	3	4-φ18	250	30	
	65	270	395	180	145	120	22	3	8-φ18	250	43	
DkZ44 ^H ₋₂₅ ^I _Y ^P	80	280	425	195	160	135	22	3	8-φ18	300	60	
	100	300	510	230	190	160	24	3	8-φ23	300	79	
DkZ41 ^H ₋₂₅ ^I _Y	125	325	570	270	220	188	28	3	8-φ25	350	114	
	150	350	725	300	250	218	30	3	8-φ25	350	157	
DkZ41 ^H ₋₂₅ ^I _Y ^P	200	400	820	360	310	278	34	3	12-φ25	400	243	
	250	450	890	425	370	332	36	3	12-φ30	450	345	
DkZ944 ^H ₋₂₅ ^I _Y	300	500	1070	483	430	390	40	3	16-φ30	550	455	
	350	550	1320	550	490	448	44	4	16-φ34	650	615	
DkZ944 ^H ₋₂₅ ^I _Y ^P	400	600	1450	610	550	505	48	4	16-φ34	700	794	
	450	650	1560	660	600	555	50	4	20-φ34	750	1018	
DkZ941 ^H ₋₂₅ ^I _Y	500	700	1720	730	660	610	52	4	20-φ41	800	1250	
	600	800	1880	840	770	718	56	5	20-φ41	850	1528	
DkZ941 ^H ₋₂₅ ^I _Y ^P	700	900	2085	955	875	815	60	5	24-φ48	900	2265	
	800	1000	2590	1070	990	930	64	5	24-φ48	1000	2847	

注：本公司还可按用户要求配置气动或齿轮传动装置。

Notes: Pneumatic or gear actuator can be equipped according to user's requirement by our company.



产品型号规格和外形尺寸 Product model specification and outline dimensions

型号 Type	规格(in) Specification	尺寸 Dimensions(mm)											W (Kg)
		L	H	D	D1	D2	b	f	D6	f2	Z-φd	D0	
DkZ4M4 ^H -40	50	250	345	160	125	100	20	3	88	4	4-φ18	300	35
DkZ4M4 ^H -40 ^I _P	65	270	395	180	145	120	22	3	110	4	8-φ18	300	49
DkZ4M4 ^H -40 ^I _P	80	280	425	195	160	135	22	3	121	4	8-φ18	350	65
DkZ4M1 ^H -40	100	300	510	230	190	160	24	3	150	4.5	8-φ23	350	87
DkZ4M1 ^H -40 ^I _P	125	325	570	270	220	188	28	3	176	4.5	8-φ25	400	124
DkZ4M1 ^H -40 ^I _P	150	350	725	300	250	218	30	3	204	4.5	8-φ25	400	172
DkZ94M4 ^H -40	200	400	820	375	320	282	38	3	260	4.5	12-φ30	450	275
DkZ94M4 ^H -40 ^I _P	250	450	890	445	385	345	42	3	313	4.5	12-φ34	550	392
DkZ94M4 ^H -40 ^I _P	300	500	1070	510	450	408	46	4	364	4.5	16-φ34	650	515
DkZ94M1 ^H -40	350	550	1320	570	510	465	52	4	422	5	16-φ34	750	684
DkZ94M1 ^H -40 ^I _P	400	600	1450	655	585	535	58	4	474	5	16-φ41	850	902
DkZ4M4 ^H -64	50	250	350	175	135	105	26	3	88	4	4-φ23	300	43
DkZ4M4 ^H -64 ^I _P	65	280	405	200	160	130	28	3	110	4	8-φ23	300	60
DkZ4M4 ^H -64 ^I _P	80	310	435	210	170	140	30	3	121	4	8-φ23	350	78
DkZ4M1 ^H -64	100	350	515	250	200	168	32	3	150	4.5	8-φ25	400	100
DkZ4M1 ^H -64 ^I _P	125	400	580	295	240	202	36	3	176	4.5	8-φ30	400	140
DkZ4M1 ^H -64 ^I _P	150	450	735	340	280	240	38	3	204	4.5	8-φ34	450	204
DkZ94M4 ^H -64	200	550	835	405	345	300	44	3	260	4.5	12-φ34	550	317
DkZ94M4 ^H -64 ^I _P	250	650	905	470	400	352	48	3	313	4.5	12-φ41	650	475
DkZ94M4 ^H -64 ^I _P	300	750	1080	530	460	412	54	4	364	4.5	16-φ41	750	630
DkZ94M1 ^H -64	350	850	1340	595	525	475	60	4	422	5	16-φ41	800	850
DkZ94M1 ^H -64 ^I _P	400	950	1460	670	585	525	66	4	474	5	16-φ48	900	1096
DkZ4M4 ^H -100	50	250	350	195	145	112	28	3	88	4	4-φ25	300	48
DkZ4M4 ^H -100 ^I _P	65	280	405	220	170	138	32	3	110	4	8-φ25	300	68
DkZ4M4 ^H -100 ^I _P	80	310	435	230	180	148	34	3	121	4	8-φ25	350	89
DkZ4M1 ^H -100	100	350	515	265	210	172	38	3	150	4.5	8-φ30	400	112
DkZ4M1 ^H -100 ^I _P	125	400	580	310	250	210	42	3	176	4.5	8-φ34	400	156
DkZ4M1 ^H -100 ^I _P	150	450	735	350	290	250	46	3	204	4.5	12-φ34	450	220
DkZ4M4 ^H -100	200	550	835	430	360	312	54	3	260	4.5	12-φ41	550	352
DkZ4M4 ^H -100 ^I _P	250	650	905	500	430	382	60	3	313	4.5	12-φ41	650	535
DkZ4M4 ^H -100 ^I _P	300	750	1080	585	500	442	70	4	364	4.5	16-φ48	750	730
DkZ4M1 ^H -100	350	850	1340	655	560	498	76	4	422	5	16-φ54	850	995
DkZ4M1 ^H -100 ^I _P	400	950	1460	715	620	558	80	4	474	5	16-φ54	950	1265

注：本公司还可按用户要求配置气动或齿轮传动装置。

Notes: Pneumatic or gear actuator can be equipped according to user's requirement by our company.



磅级高温高压电站截止阀

Pound class high temperature and high pressure steam power station globe valve

标准与规范 Standard and specifications

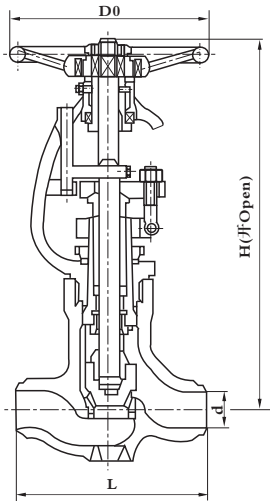
设计与制造 Design and manufacture	结构长度 Face-to-face length	焊接端 Welding end	试验与检验 Test and checking
E101、JB/T 3595-1993	E101、ANSI B16.10	ANSI B16.25或按用户要求 ANSI B16.25 or user's request	E101

性能规范 Property specifications

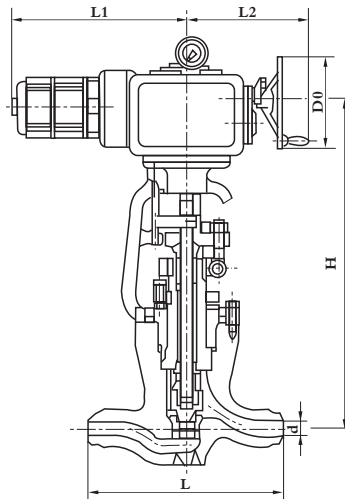
阀体材料 Body material	试验压力 PS (MPa) Test pressure								工作温度(°C) Working temperature	压力级 Class				适用介质 Suitable media
	1500Lb		2000Lb		2500Lb		3500Lb			1500Lb	2000Lb	2500Lb	3500Lb	
	阀体 Body	密封 Sealing	阀体 Body	密封 Sealing	阀体 Body	密封 Sealing	阀体 Body	密封 Sealing		工作压力(MPa) Working pressure				
ASTM A216WCB	39.0	28.6	52.1	38.2	65.1	47.7	91.1	66.8	38	26.0	34.7	43.4	60.7	水、蒸气 Water, steam
									427	14.5	19.3	24.1	33.7	
ASTM A217WC1	36.6	26.8	48.8	35.8	61.1	44.8	85.5	62.7	38	24.4	32.5	40.7	57.0	
									454	17.1	22.8	28.5	40.0	
ASTM A217WC6	39.6	29.0	52.8	38.7	65.9	48.3	92.3	67.7	38	26.4	35.2	43.9	61.5	
									552	6.3	8.45	10.6	14.4	
ASTM A217WC9	39.6	29.0	52.8	38.7	65.9	48.3	92.3	67.7	38	26.4	35.2	43.9	61.5	
									593	4.0	5.3	6.6	9.3	

主要零件材料 Material of main parts

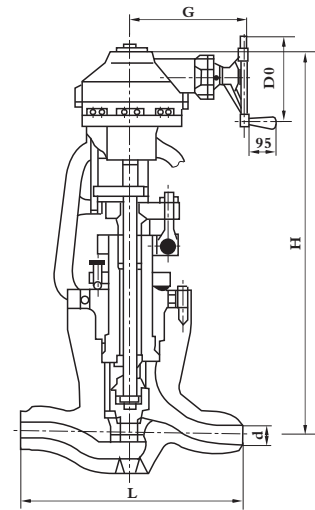
零件名称 Name of parts	材料 Material			
阀体 Body	WCB	WC1	WC6	WC9
阀盖 Bonnet	25	15CrMoA	12Cr1MoVA	12Cr1MoVA
支架 Yoke	WCB	WCB	WCB	WCB
		WC1	WC6	WC9
闸瓣 Disc	25	15CrMoA	12Cr1MoVA	12Cr1MoVA
阀杆 Stem	25Cr2MoV	25Cr2MoV	20Cr1Mo1V1A	20Cr1Mo1V1A
阀座 Seat	25	15CrMoA	12Cr1MoVA	12Cr1MoVA
密封环 Sealing ring	增强柔性石墨 Reinforced soft graphite			
填料 Packing	增强柔性石墨 Reinforced soft graphite			
阀杆螺母 Yoke nut	ZCuAl10Fe3			



手动截止阀
Manual globe valve



电动截止阀
Electric actuator globe valve



伞齿轮传动截止阀
Bevel gear operated globe valve

手动截止阀产品型号规格和外形尺寸

Product model, specification and outline dimensions of manual globe valve

型号 Type	规格(mm) Specification	尺寸 Dimensions(mm)				W (Kg)
		d	L	H	D0	
J61Y-1500Lb	2 1/2	56	340	890	510	140
	3	64	390	820	510	160
	4	84	480	910	560	240
	5	100	580	985	610	270
	6	126	630	1105	800	440
J61Y-2000Lb	2 1/2	50	420	814	510	160
	3	60	470	895	560	200
	4	80	570	975	610	270
	5	96	660	1045	700	340
	6	118	760	1256	800	470
J61Y-2500Lb	2 1/2	46	420	840	510	250
	3	54	470	940	560	290
	4	70	570	1045	610	350
	5	88	660	1275	700	400
	6	104	760	1400	800	500
J61Y-3500Lb	2 1/2	34	250	625	320	164
	3	38	480	890	460	235
	4	48	640	1030	560	425
	5	60	800	1155	610	500
	6	74	930	1315	900	750

电动截止阀产品型号规格和外形尺寸

Product model, specification and outline dimensions of electric actuator globe valve

型号 Type	规格(mm) Specification	d	L	尺寸 Dimensions(mm)				电装型号 Electric actuator type	W (Kg)
				H	D0	L1	L2		
J961Y-1500Lb	3	64	390	1030	305	400	555	SMC-00	265
				1077	305	410	565	SMC-0	270
	4	84	480	1033	305	410	565	SMC-0	384
				1070	305	420	654	SMC-1	490
	5	100	580	1125	305	420	654	SMC-1	520
				1135	457	440	688	SMC-2	642
	6	125	630	1681	305	420	654	SMC-1	804
	8	158	770	1960	305	420	654	SMC-1	948



电动截止阀产品型号规格和外形尺寸

Product model, specification and outline dimensions of electric actuator globe valve

型号 Type	规格(mm) Specification	尺寸 Dimensions(mm)						电装型号 Electric actuator type	W (Kg)	
		d	L	H	D0	L1	L2			
J961Y-2000Lb	2 1/2	50	420	975	305	410	565	SMC-0	340	
				1015	305	420	654	SMC-1	406	
	3	60	470	1060	305	410	565	SMC-0	388	
				1095	305	420	654	SMC-1	470	
	4	80	570	1220	305	420	654	SMC-1	542	
				1235	457	440	688	SMC-2	606	
	5	96	660	1425	457	440	688	SMC-2	646	
				1500	610	690		SMC-3	874	
	6	118	760	1480	457	440	688	SMC-2	780	
				1560	610	690		SMC-3	1100	
	J961Y-2500Lb	2 1/2	46	420	975	305	410	565	SMC-0	390
					1015	305	420	654	SMC-1	600
3		54	470	1065	305	410	565	SMC-0	430	
				1095	305	420	654	SMC-1	430	
4		70	570	1220	305	420	654	SMC-1	640	
				1235	457	440	688	SMC-2	772	
5		88	660	1425	457	440	688	SMC-2	772	
				1500	610	690		SMC-3	810	
6		104	760	1480	457	440	688	SMC-2	872	
				1685	610	690		SMC-3	917	
J961Y-3500Lb		2 1/2	38	480	945	305	400	555	SMC-00	342
					1025	305	410	565	SMC-0	375
	3	48	640	1150	305	410	565	SMC-0	565	
				1185	305	420	654	SMC-1	675	
	4	60	762	1366	305	420	565	SMC-0	810	
				1300	457	440	688	SMC-2	872	
	5	74	864	1530	457	440	688	SMC-2	920	
				1725	610	690		SMC-3	1100	

伞齿轮传动截止阀产品型号规格和外形尺寸

Product model, specification and outline dimensions of bevel gear driver globe valve

型号 Type	规格(mm) Specification	尺寸 Dimensions(mm)					伞齿轮装置型号 Type of bevel gear actuator	W (Kg)
		d	L	H	G	D0		
J561Y-1500Lb	5	100	580	995	332	460	BA-1	303
				1170	417	610	BA-2	388
	6	126	630	1360	332	460	BA-1	680
				1500	417	610	BA-2	762
J561Y-2000Lb	4	80	570	1125	332	460	BA-1	386
				1185	417	610	BA-2	425
	5	96	660	1370	417	610	BA-2	460
				1435	459	760	BA-3	525
	6	118	760	1430	417	610	BA-2	560
				1495	459	760	BA-3	625
J561Y-2500Lb	4	70	570	1125	332	460	BA-1	406
				1185	417	610	BA-2	451
	5	86	660	1370	417	610	BA-2	505
				1435	459	760	BA-3	580
	6	104	760	1430	417	610	BA-2	605
				1495	459	760	BA-3	680
J561Y-3500Lb	3	48	640	1055	262	310	BA-0	458
				1050	332	460	BA-1	477
	4	60	800	1264	332	460	BA-1	641
				1335	417	610	BA-2	680
	5	74	864	1435	332	460	BA-1	903
				1500	417	610	BA-2	940
6	88	965	1600	459	760	BA-3	1050	



国标电站截止阀 National standard steam power station globe valve
标准与规范 Standard and specifications

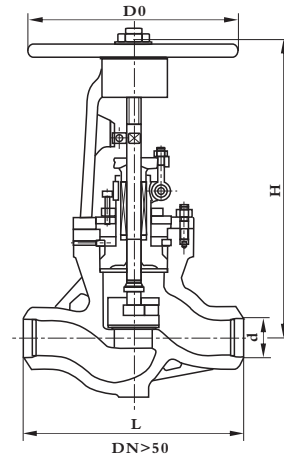
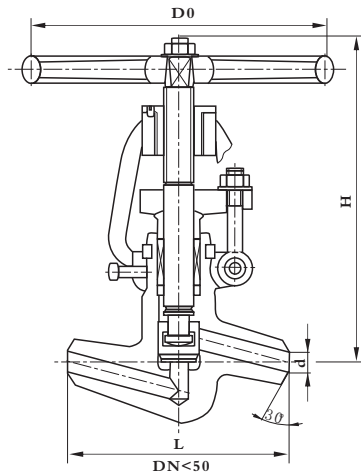
设计与制造 Design and manufacture	结构长度 Face-to-face length	焊接端 Welding end	试验与检验 Test and checking
E101、JB/T 3595-1993	E101、JB/T 2766-1992	ANSI B 16.25或按用户要求 ANSI B 16.25 or user's request	E101、JB/T 9092-1999

性能规范 Property specifications

公称压力 Nominal pressure PN(MPa)	试验压力 PS (MPa) Test pressure		适用温度(°C) Suitable temperature	适用介质 Suitable media
	强度试验 Intensity test	密封试验 Sealing test		
20.0	30	22	≤425	水、蒸气、油品 Water, steam, oil
25.0	37.5	27.5		
32.0	48	35.2		
P ₅₄ 100V	30	11	≤540	
P ₅₄ 140V	42	15.4		
P ₅₄ 170V	48	18.7		
P ₅₇ 170V	63	18.7	≤570	

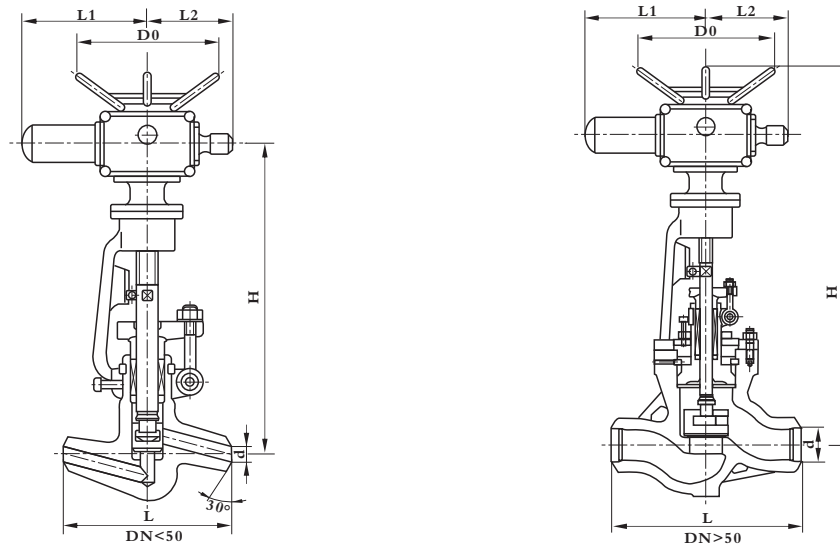
主要零件材料 Material of main parts

零件名称 Name of parts	材料 Material		
阀体 Body	WCB 25	WC6 12Cr1MoV	WC9 12Cr1MoV
阀盖 Bonnet	WCB 35	WC6 12Cr1MoV	WC6 12Cr1MoV
支架 Yoke	WCB 25	WCB 25	WCB 25
阀瓣 Disc	WCB 25	WC6 25Cr2MoV	WC9 25Cr2MoV
阀杆 Stem	2Cr13	38CrMoAl 25Cr2MoV	38CrMoAl 25Cr2MoV
阀座 Seat	25	304	304
密封环 Sealing ring	包覆垫、增强柔性石墨 Jacketed gasket, reinforced soft graphite		
填料 Packing	增强柔性石墨 Reinforced soft graphite		
阀杆螺母 Yoke nut	ZQA19-4		



产品型号规格和外形尺寸 Product model specification and outline dimensions

型号 Type	规格(in) Specification	尺寸 Dimensions(mm)				W (Kg)
		d	L	H	D0	
J61Y-200	50	55	350	497	320	41
	100	109	600	806	640	260
J61Y-250	10	10	110	230	140	3.7
	20	19	150	272	180	6.7
	25	22	180	308	240	11.2
	32	26	180	308	240	11.8
	40	36	250	493	320	36.3
	50	42	250	493	320	36.3
	65	56	340	775	460	120
	80	64	390	848	510	150
	100	84	480	910	560	240
J61Y-P ₅₄ 100V	10	12	110	170	160	2.5
	20	23	150	270	200	9.3
	25	27	180	270	200	9.2
	32	32	180	365	240	15
	40	36	250	493	320	38
	50	45	350	580	320	74.7
	65	57.6	430	602	360	105
J61Y-320 J61Y-P ₅₄ 140V	10	10	110	230	140	3.7
	20	19	150	272	180	6.7
	25	22	180	308	240	11.2
	32	26	180	308	240	11.8
	40	36	250	493	320	36.3
	50	42	250	493	320	36.3
	65	60	470	895	560	200
	80	80	570	1085	700	280
J61Y-P ₅₇ 170V	10	10	110	230	140	3.7
	20	19	150	272	180	6.7
	25	22	180	308	240	11.2
	32	26	180	308	240	11.8
	40	36	250	493	320	36.3
	50	42	250	493	320	36.3
	65	60	762	1115	610	500
	80	74	864	1315	900	750
	100	88	965	1475	900	1000



产品型号规格和外形尺寸 Product model specification and outline dimensions

型号 Type	规格(in) Specification	尺寸 Dimensions(mm)					电装型号 Electric actuator type	W (Kg)
		d	L	L1	L2	H		
J961Y-250	20	19	150	363	197	576	DZW15	47.4
	25	22	180	363	197	590	DZW15	52.1
	32	26	180	363	197	606	DZW15	51.7
	40	36	250	363	197	722	DZW20	70
	50	42	250	363	197	722	DZW30	72.8
	65	56	340	437	277	1060	DZW45	230
	80	80	390	526	283	1280	DZW90	270
	100	84	480	526	283	1290	DZW90	310
J961Y-320	20	19	150	363	197	576	DZW15	47.4
	25	22	180	363	197	590	DZW15	52.1
	32	26	180	363	197	606	DZW15	51.7
	40	36	250	363	197	722	DZW20	70
	50	42	250	363	197	722	DZW30	72.8
	65	60	470	526	283	1140	DZW90	340
	80	80	570	526	283	1350	DZW120	460
	100	96	660	554	309	1500	DZW180	610
J961Y-P ₅₇ 170V	20	19	150	363	197	576	DZW15	47.4
	25	22	180	363	197	590	DZW15	52.1
	32	26	180	363	197	606	DZW15	51.2
	40	36	250	363	197	722	DZW20	70
	50	42	250	363	197	722	DZW30	72.8
	65	60	762	526	283	1543	DZW90	785
	80	74	864	526	283	1790	DZW120	1089
	100	88	965	554	309	1890	DZW180	1450



磅级高温高压电站Y型截止阀

Pound class high temperature and high pressure steam power station Y-type globe valve
标准与规范 Standard and specifications

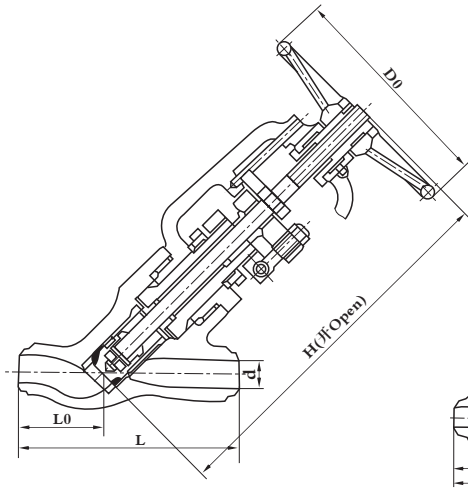
设计与制造 Design and manufacture	结构长度 Face-to-face length	焊接端 Welding end	试验与检验 Test and checking
E101、JB/T 3595-1993	E101、ANSI B16.10	ANSI B16.25或按用户要求 ANSI B16.25 or user's request	E101

性能规范 Property specifications

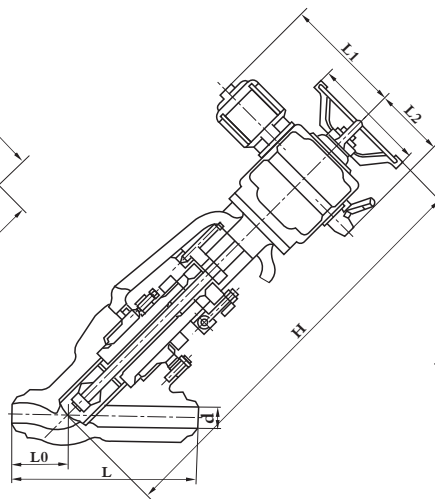
阀体材料 Body material	试验压力 PS (MPa) Test pressure								工作温度(°C) Working temperature	压力级 Class				适用介质 Suitable media
	1500Lb		2000Lb		2500Lb		3500Lb			1500Lb	2000Lb	2500Lb	3500Lb	
	阀体 Body	密封 Sealing	阀体 Body	密封 Sealing	阀体 Body	密封 Sealing	阀体 Body	密封 Sealing		工作压力(MPa) Working pressure				
ASTM A216WCB	39.0	28.6	52.1	38.2	65.1	47.7	91.1	66.8	38	26.0	34.7	43.4	60.7	水、蒸气 Water, steam
									427	14.5	19.3	24.1	33.7	
ASTM A217WC1	36.6	26.8	48.8	35.8	61.1	44.8	85.5	62.7	38	24.4	32.5	40.7	57.0	
									454	17.1	22.8	28.5	40.0	
ASTM A217WC6	39.6	29.0	52.8	38.7	65.9	48.3	92.3	67.7	38	26.4	35.2	43.9	61.5	
									552	6.3	8.45	10.6	14.4	
ASTM A217WC9	39.6	29.0	52.8	38.7	65.9	48.3	92.3	67.7	38	26.4	35.2	43.9	61.5	
									593	4.0	5.3	6.6	9.3	

主要零件材料 Material of main parts

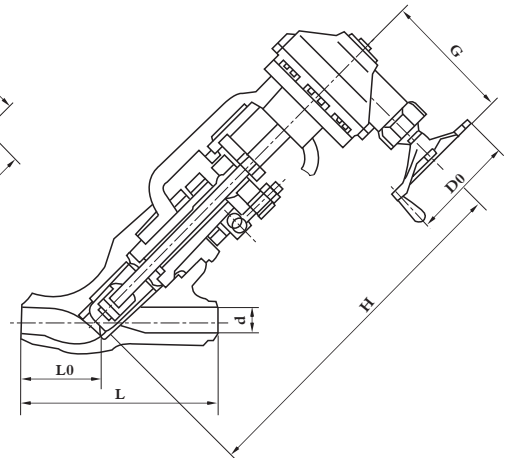
零件名称 Name of parts	材料 Material			
阀体 Body	WCB	WC1	WC6	WC9
阀盖 Bonnet	25	15CrMoA	12Cr1MoVA	12Cr1MoVA
支架 Yoke	WCB	WCB	WCB	WCB
		WC1	WC6	WC9
闸瓣 Disc	25	15CrMoA	12Cr1MoVA	12Cr1MoVA
阀杆 Stem	25Cr2MoV	25Cr2MoV	20Cr1Mo1V1A	20Cr1Mo1V1A
阀座 Seat	25	15CrMoA	12Cr1MoVA	12Cr1MoVA
密封环 Sealing ring	增强柔性石墨 Reinforced soft graphite			
填料 Packing	增强柔性石墨 Reinforced soft graphite			
阀杆螺母 Yoke nut	ZCuAl10Fe3			



手动Y型截止阀
Manual Y-type globe valve



电动Y型截止阀
Electric actuator Y-type globe valve



伞齿轮传动Y型截止阀
Bevel gear driven Y-type globe valve

手动Y型截止阀产品型号规格和外形尺寸

Product model, specification and outline dimensions of manual Y-type globe valve

型号 Type	规格(mm) Specification	尺寸 Dimensions(mm)					W (Kg)
		d	L	L0	H	D0	
J65Y-1500Lb	2 1/2	56	330	130	670	360	45
	3	64	368	140	750	460	70
	4	84	457	170	830	510	110
	5	100	533	195	910	560	129
	6	126	610	190	1100	610	180
J65Y-2500Lb	2	38	310	120	550	300	42
	2 1/2	46	340	130	670	360	72
	3	54	390	147	750	460	81
	4	70	480	170	830	720	130

电动Y型截止阀产品型号规格和外形尺寸

Product model, specification and outline dimensions of electric actuator Y-type globe valve

型号 Type	规格(mm) Specification	尺寸 Dimensions(mm)							电装型号 Electric actuator type	W (Kg)
		L	d	L0	H	D0	L1	L2		
J965Y-1500Lb	3	64	368	140	990	305	410	565	SMC-0	200
	4	84	457	170	990	305	420	654	SMC-1	310
	5	100	533	195	1115	305	420	654	SMC-1	514
	6	126	610	190	1763	457	440	688	SMC-2	534
	8	158	762	262	2026	457	440	688	SMC-2	950
J965Y-2000Lb	4	80	457	170	990	305	420	654	SMC-1	327
	5	96	533	195	1115	305	420	654	SMC-1	408
	6	118	610	190	1423	457	440	688	SMC-2	470
	8	148	762	262	1615	457	440	688	SMC-2	1050
	10	180	914	300	2240	610	715		SMC-4	1582
	12	222	1041	360	2490	610	715		SMC-4	2340



电动Y型截止阀产品型号规格和外形尺寸

Product model, specification and outline dimensions of electric actuator Y-type globe valve

型号 Type	规格(mm) Specification	尺寸 Dimensions(mm)							电装型号 Electric actuator type	W (Kg)	
		d	L	L0	H	D0	L1	L2			
J965Y-2500Lb	2	38	310	120	810	305	400	555	SMC-00	130	
		46	340	130	895	305	400	555	SMC-00	160	
	3	54	390	140	995	305	410	565	SMC-0	217	
	4	70	480	170	990	305	420	654	SMC-1	337	
	5	86	580	195	1115	305	420	654	SMC-1	432	
	6	104	630	200	1280	457	440	688	SMC-2	652	
	8	130	770	260	1615	457	440	688	SMC-2	1122	
	10	162	930	300	1930	610	690		SMC-3	1652	
	12	210	1060	360	2240	610	715		SMC-4	2862	
J965Y-3500Lb	3	234	1160	395	2420	610	715		SMC-4	3662	
		3	48	470	150	1005	305	410	565	SMC-0	272
		4	60	550	175	1133	305	410	565	SMC-0	387
		5	74	660	200	1280	305	420	654	SMC-1	582
	6	88	790	230	1320	305	420	654	SMC-1	847	

伞齿轮传动Y型截止阀产品型号规格和外形尺寸

Product model, specification and outline dimensions of bevel gear driven Y-type globe valve

型号 Type	规格(mm) Specification	尺寸 Dimensions(mm)						伞齿轮装置型号 Type of bevel gear actuator	W (Kg)
		d	L	L0	H	G	D0		
J565Y-1500Lb	5	100	533	195	1100	460	332	BA-1	505
	6	126	610	190	1730	610	417	BA-2	520
	8	158	762	262	2010	610	417	BA-2	820
J565Y-2000Lb	4	80	457	170	870	460	332	BA-1	214
	5	96	533	195	995	460	332	BA-1	303
	6	118	610	190	1025	610	417	BA-2	470
	8	148	762	260	1505	610	417	BA-2	980
	10	180	914	300	1825	760	459	BA-3	1280
	12	222	1041	360	2300	610	456	B-4+PA-2	2714
J565Y-2500Lb	3	54	390	140	750	310	262	BA-0	121
	4	70	480	170	870	460	332	BA-1	212
	5	86	580	195	995	460	332	BA-1	312
	6	104	630	200	1205	610	417	BA-2	410
	8	130	770	260	1565	610	417	BA-2	1060
	10	162	930	300	1870	760	459	BA-3	1380
	12	210	1060	360	2335	760	773	B-4+PA-2	2824
	14	234	1160	395	2515	760	773	B-4+PA-2	3624
J565Y-3500Lb	3	48	470	150	817	310	262	BA-0	172
	4	60	550	175	930	310	262	BA-0	293
	5	74	660	200	1075	460	332	BA-1	462
	6	88	790	230	1220	460	332	BA-1	727



国标电站Y型截止阀 National standard steam power station Y-type globe valve
 标准与规范 Standard and specifications

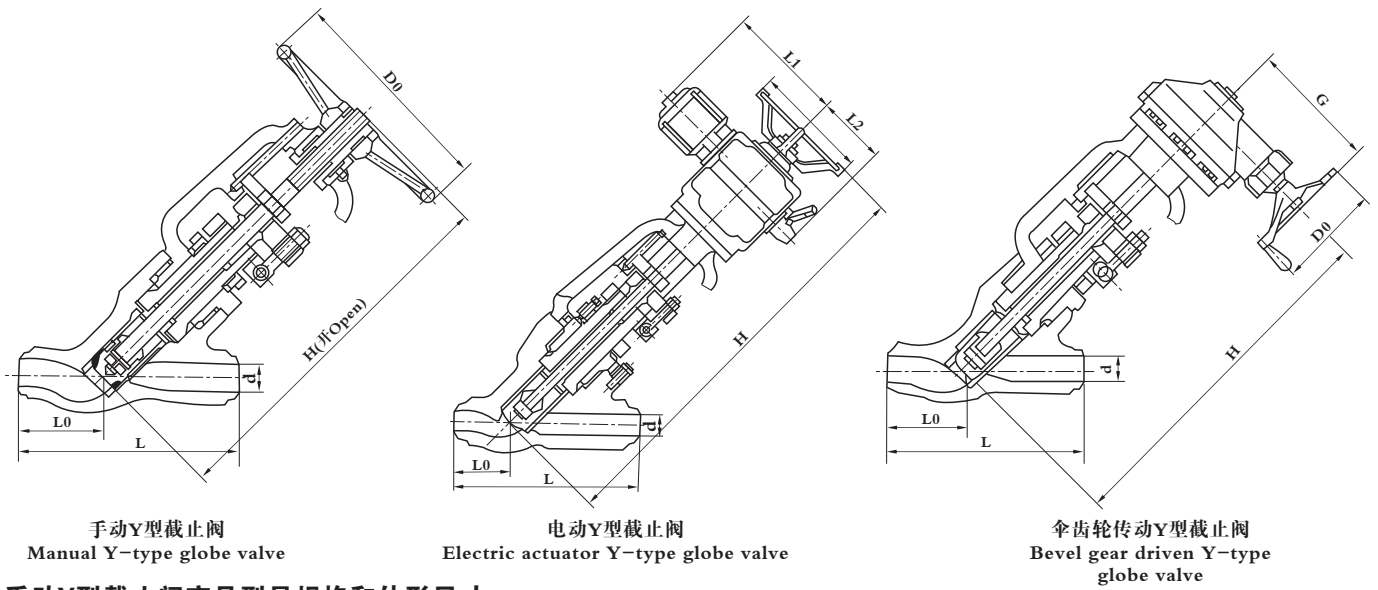
设计与制造 Design and manufacture	结构长度 Face-to-face length	焊接端 Welding end	试验与检验 Test and checking
E101、JB/T 3595-1993	E101、JB/T 2766-1992	ANSI B16.25或按用户要求 ANSI B16.25 or user's request	E101、JB/T 9092-1999

性能规范 Property specifications

公称压力 Nominal pressure PN(MPa)	试验压力 PS (MPa) Test pressure		适用温度 (°C) Suitable temperature	适用介质 Suitable media
	强度试验 Intensity test	密封试验 Sealing test		
16.0	24.0	17.6	≤425	水、蒸气、油品 Water, steam, oil
20.0	30.0	22.0		
25.0	37.5	27.5		
32.0	48.0	35.2		
P ₅₄ 100V	30.0	11.0	≤540	
P ₅₄ 140V	42.0	15.4		
P ₅₄ 170V	48.0	18.7		
P ₅₇ 170V	63.0	18.7	≤570	

主要零件材料 Material of main parts

零件名称 Name of parts	材料 Material			
阀体 Body	WCB 25	12Cr1MoV	WC6 ZG15Cr1Mo1V	WC9 ZG15Cr1Mo1V
阀盖 Bonnet	25	12Cr1MoV	12Cr1MoV	12Cr1MoV
闸瓣 Disc	25+硬质合金 25+Hard alloy	12Cr1MoV+硬质合金 12Cr1MoV+Hard alloy	12Cr1MoV+硬质合金 12Cr1MoV+Hard alloy	12Cr1MoV+硬质合金 12Cr1MoV+Hard alloy
阀座 Seat	硬质合金 Hard alloy	硬质合金 Hard alloy	硬质合金 Hard alloy	硬质合金 Hard alloy
阀杆 Stem	2Cr13	25Cr2MoV	25Cr2MoV	25Cr2MoV
阀杆螺母 Yoke nut	ZCuAl10Fe3			



手动Y型截止阀

Manual Y-type globe valve

电动Y型截止阀

Electric actuator Y-type globe valve

伞齿轮传动Y型截止阀

Bevel gear driven Y-type globe valve

手动Y型截止阀产品型号规格和外形尺寸

Product model, specification and outline dimensions of manual Y-type globe valve

型号 Type	规格(mm) Specification	尺寸 Dimensions(mm)					W (Kg)
		d	L	L0	H	D0	
J65Y-160 J65Y-200 J65Y-P ₅₄ 100V	10	10	110	30	230	200	3.5
	20	20	152	45	320	200	11
	25	26	180	52	360	240	15
	32	32	180	52	360	240	15
	40	38	230	70	420	320	32
	50	49	230	70	420	320	32
	65	63	330	110	630	360	88
	80	78	368	125	710	450	135
J65Y-250	100	97	457	160	790	550	250
	10	10	110	30	230	200	3.5
	20	19	152	45	320	200	11
	25	22	180	52	360	240	15
	32	28	180	52	360	240	15
	40	33	230	70	420	320	32
	50	45	230	70	420	320	32
	65	58	330	110	630	360	96
J65Y-320 J65Y-P ₅₄ 140V	80	73	368	125	710	450	155
	100	88	457	160	790	550	280
	10	10	110	30	230	200	3.5
	20	19	152	45	320	200	11
	25	22	180	52	360	240	15
	32	26	180	52	360	240	15
	40	36	230	70	420	320	32
	50	42	230	70	420	320	32
J65Y-P ₅₄ 170V J65Y-P ₅₇ 170V	65	53	330	110	670	360	109
	80	67	368	125	750	450	175
	100	80	457	160	830	600	290
	10	10	110	30	230	200	3.5
	20	18	152	45	320	200	11
	25	20	180	52	360	240	15
	32	26	180	52	360	240	15
	40	37	230	70	420	320	32
J65Y-P ₅₄ 170V J65Y-P ₅₇ 170V	50	38	310	120	550	320	32
	65	46	340	130	670	360	115
	80	54	390	147	750	450	215
	100	70	480	170	830	600	350

电动Y型截止阀产品型号规格和外形尺寸

Product model, specification and outline dimensions of electric actuator Y-type globe valve

型号 Type	规格(mm) Specification	尺寸 Dimensions(mm)						电装型号 Electric actuator type	W (Kg)
		d	L	L0	H	L1	L2		
J965Y-160 J965Y-200 J965Y-P ₅₄ 100V	50	49	230	70	680	363	197	DZW30	72
	65	63	330	130	855	437	277	DZW45	230
	80	77	368	140	990	526	283	DZW90	270
	100	93	457	170	990	526	283	DZW120	310
	125	113	533	195	1115	554	309	DZW180	514
	150	135	610	200	1763	554	309	DZW250	534
	200	187	762	262	2082	770	400	DZW350	950
	250	233	914	300	2320	770	450	DZW500	1480
	300	265	1041	360	2550	794	266	DZW800	2140



电动Y型截止阀产品型号规格和外形尺寸

Product model, specification and outline dimension of electric actuator Y-type globe valve

型号 Type	规格(in) Specification	尺寸 Dimensions(mm)						电装型号 Type of electric actuator	W(Kg)
		d	L	L0	H	L1	L2		
J965Y-250	50	45	230	70	680	363	197	DZW30	72
	65	58	330	130	855	437	277	DZW45	230
	80	73	368	140	990	526	283	DZW90	270
	100	88	457	170	990	526	283	DZW120	315
	125	100	533	195	1115	554	309	DZW180	525
	150	126	610	200	1763	554	309	DZW250	542
	200	158	762	262	2026	770	400	DZW350	980
	250	180	914	300	2240	770	450	DZW500	1540
J965Y-320	50	42	230	70	680	363	197	DZW30	72
	65	53	330	130	855	437	277	DZW45	230
	80	67	368	140	990	526	283	DZW90	270
	100	80	457	170	990	526	283	DZW120	315
	125	96	533	195	1115	554	309	DZW180	525
	150	118	610	200	1423	554	309	DZW250	542
	200	148	762	262	1615	770	400	DZW350	980
	250	180	914	300	2240	770	450	DZW500	1540
J965Y-P ₅₄ 140V	50	42	230	70	680	363	197	DZW30	72
	65	53	330	130	855	437	277	DZW45	230
	80	67	368	140	990	526	283	DZW90	270
	100	80	457	170	990	526	283	DZW120	315
	125	96	533	195	1115	554	309	DZW180	525
	150	118	610	200	1423	554	309	DZW250	542
	200	148	762	262	1615	770	400	DZW350	980
	250	180	914	300	2240	770	450	DZW500	1540
J965Y-P ₅₄ 170V	50	38	310	120	810	363	197	DZW30	152
	65	46	340	130	895	437	277	DZW45	260
	80	54	390	140	990	526	283	DZW90	310
	100	70	480	170	990	526	283	DZW120	330
	125	86	580	195	1115	554	309	DZW180	530
	150	104	630	200	1280	554	309	DZW250	562
	200	130	770	262	1615	770	400	DZW350	1020
	250	162	930	300	1930	770	450	DZW500	1680
J965Y-P ₅₇ 170V	50	38	310	120	810	363	197	DZW30	152
	65	46	340	130	895	437	277	DZW45	260
	80	54	390	140	990	526	283	DZW90	310
	100	70	480	170	990	526	283	DZW120	330
	125	86	580	195	1115	554	309	DZW180	530
	150	104	630	200	1280	554	309	DZW250	562
	200	130	770	262	1615	770	400	DZW350	1020
	250	162	930	300	1930	770	450	DZW500	1680
J965Y-P ₅₇ 170V	50	210	1060	360	2240	794	266	DZW800	2650

伞齿轮传动Y型截止阀产品型号规格和外形尺寸

Product model, specification and outline dimension of bevel gear driven Y-type globe valve

型号 Type	规格(in) Specification	尺寸 Dimensions(mm)						伞齿轮装置型号 Type of bevel gear actuator	W(Kg)
		d	L	L0	H	D0	G		
J565Y-160	50	49	230	70	570	310	262	BA-0	82
	65	63	330	130	745	310	262	BA-0	120
	80	77	368	140	880	310	262	BA-0	160
J565Y-200	100	93	457	170	880	460	332	BA-1	290
	125	113	533	195	1100	460	332	BA-1	450
	150	135	610	200	1730	610	417	BA-2	520
J565Y-P ₅₄ 100V	200	187	762	262	2010	610	417	BA-2	820
	250	233	914	300	2120	760	459	BA-3	1280
	300	265	1041	360	2380	760	773	B-4+PA-2	2520
	50	45	230	70	570	310	262	BA-0	82
J565Y-250	65	58	330	130	745	310	262	BA-0	150
	80	73	368	140	860	310	262	BA-0	240
	100	88	457	170	870	460	332	BA-1	305
	125	100	533	195	1100	460	332	BA-1	455
	150	126	610	200	1730	610	417	BA-2	530
	200	158	762	262	2010	610	417	BA-2	840
	250	180	914	300	2120	760	459	BA-3	1310
	300	222	1041	360	2380	760	773	B-4+PA-2	1530
J565Y-320	50	42	230	70	580	310	262	BA-0	80
	65	53	330	130	750	310	262	BA-0	150
	80	67	368	140	750	310	262	BA-0	240
	100	80	457	170	870	460	332	BA-1	305
	125	96	533	195	995	460	332	BA-1	455
	150	118	610	200	1205	610	417	BA-2	550
	200	148	762	262	1560	610	417	BA-2	905
	250	180	914	300	1870	760	459	BA-3	1350
J565Y-P ₅₄ 140V	300	222	1041	360	2335	760	773	B-4+PA-2	2710
	50	38	310	120	580	310	262	BA-0	82
	65	46	340	130	750	310	262	BA-0	150
	80	54	390	140	750	310	262	BA-0	240
	100	70	480	170	870	460	332	BA-1	305
	125	86	580	195	995	460	332	BA-1	455
	150	104	630	200	1205	610	417	BA-2	560
	200	130	770	262	1560	610	417	BA-2	920
J565Y-P ₅₄ 170V	250	162	930	300	1870	760	459	BA-3	1380
	300	210	1060	360	2335	760	773	B-4+PA-2	2820



真空隔离截止阀 Vacuum breaking globe valve

标准与规范 Standard and specifications

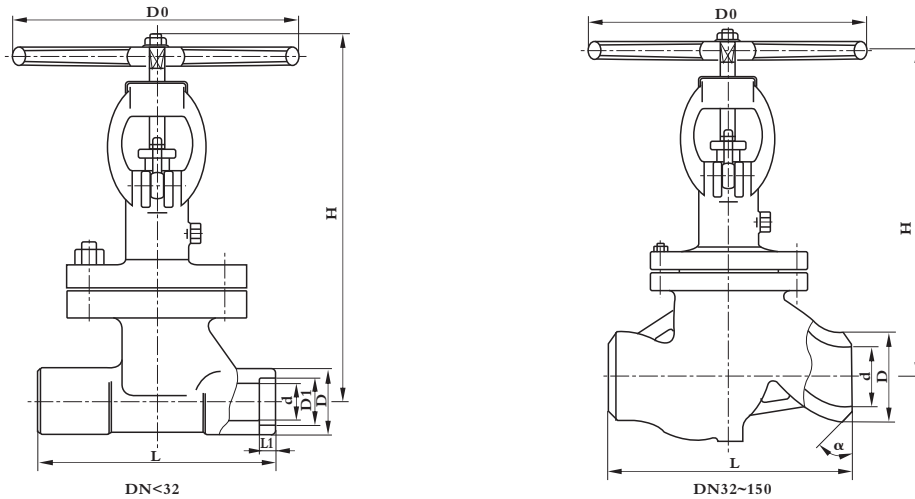
设计与制造 Design and manufacture	结构长度 Face-to-face length	焊接端 Welding end	试验与检验 Test and checking
JB/T 3595-1993	GB/T 15188.1-1994	ANSI 16.25或按用户要求 ANSI B16.25 or user's request	GB/T 13927-1992 JB/T 9092-1999

性能规范 Property specifications

公称压力 Nominal pressure PN(MPa)	试验压力 (MPa) Test pressure		适用温度(°C) Suitable temperature	适用介质 Suitable media
	强度试验 Intensity test	密封试验 Sealing test		
4.0	6.0	4.4	≤200	水、蒸汽、非腐蚀性气体 Water, steam, non-corrosive gas
6.4	9.6	7.1		
10.0	15.0	11.0		

主要零件材料 Material of main parts

零件名称 Name of parts	材 料 Material	
阀体 Body	25 WCB	Cr5Mo
阀盖 Bonnet	25 WCB	Cr5Mo
支架 Yoke	25 WCB	Cr5Mo
阀瓣 Disc	2Cr13 WCB	Cr5Mo
阀杆 Stem	2Cr13	38CrMoAl 25Cr2MoV
阀座 Seat	25 304	304
密封环 Sealing ring	增强柔性石墨 Reinforced soft graphite	
填料 Packing	增强柔性石墨 Reinforced soft graphite	
阀杆螺母 Yoke nut	ZCuAl10Fe3	



产品型号规格和外形尺寸
Product model, specification and outline dimension

型号 Type	规格(in) Specification	尺寸 Dimensions(mm)								W (Kg)
		L	H	D	d	D1	L1	α	D0	
DkJ61H-40 DkJ61Y-40I	10	130	245	36	11	18.4	10	-	120	6.5
	15	130	245	36	16	22.5	10	-	120	7
	20	150	265	44	21	28.5	11	-	160	7.8
	25	160	270	48	26	34.5	12	-	200	8.5
	32	180	285	48	34	-	-	37.5	200	12
	40	200	320	55	40	-	-	37.5	240	15
	50	230	365	64	48	-	-	37.5	320	25
	65	290	410	82	66	-	-	37.5	300	39
	80	310	430	95	78	-	-	37.5	300	50
	100	350	470	117	100	-	-	37.5	350	65
DkJ61H-64 DkJ61Y-64I	10	130	245	36	10	18.4	10	-	120	6.5
	15	130	245	36	15	22.5	10	-	120	7
	20	150	265	44	20	28.5	11	-	160	7.8
	25	160	270	48	25	34.5	12	-	200	8.5
	32	180	285	48	33	-	-	37.5	200	13
	40	200	320	55	39	-	-	37.5	240	17
	50	230	365	64	48	-	-	37.5	320	28
	65	290	410	82	65	-	-	37.5	320	41
	80	310	430	95	76	-	-	37.5	360	52
	100	350	470	117	98	-	-	37.5	400	68
DkJ61H-100 DkJ61Y-100I	10	130	245	36	10	18.4	10	-	120	7
	15	130	245	36	14	22.5	10	-	120	7.6
	20	150	265	44	20	28.5	11	-	160	8.7
	25	160	270	48	25	34.5	12	-	200	10.5
	32	180	285	48	32	-	-	37.5	200	16
	40	200	320	55	38	-	-	37.5	240	22
	50	230	365	64	48	-	-	37.5	320	33
	65	290	410	82	63	-	-	37.5	320	47
	80	310	430	95	74	-	-	37.5	360	61
	100	350	470	117	97	-	-	37.5	400	73
125	400	500	143	123	-	-	37.5	400	79	
150	480	533	167	148	-	-	37.5	500	94	



水封截止阀 Water sealed globe valve

标准与规范 Standard and specifications

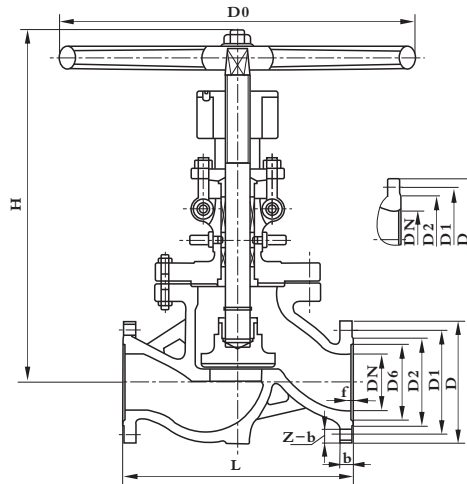
设计与制造 Design and manufacture	结构长度 Face-to-face length	连接法兰 Connection flange	焊接端 Welding end	试验与检验 Test and checking
GB/T 12235-1989	GB/T 12221-1989 GB/T 15188.1-1994	JB/T 74~90、 HG 20592~20632	GB/T 12224-1989或按用户要求 GB/T 12224-1989 or user's request	GB/T 13927-1992、 JB/T 9092-1999

性能规范 Property specifications

公称压力 Nominal pressure PN(MPa)	试验压力 PS (MPa) Test pressure		适用温度(°C) Suitable temperature	适用介质 Suitable media
	强度试验 Intensity test	密封试验 Sealing test		
2.5	3.8	2.8	≤425	水、蒸汽、非腐蚀性气体 Water, steam, non-corrosive gas
4.0	6.0	4.4		

主要零件材料 Material of main parts

零件名称 Name of parts	材料 Material
阀体 Body	25 WCB
阀盖 Bonnet	25 WCB
支架 Yoke	25 WCB
阀瓣 Disc	2Cr13 WCB
阀杆 Stem	2Cr13
阀座 Seat	25
密封环 Sealing ring	包覆垫、增强柔性石墨 Jacketed gasket, reinforced soft graphite
填料 Packing	增强柔性石墨 Reinforced soft graphite
阀杆螺母 Yoke nut	ZCuAl10Fe3

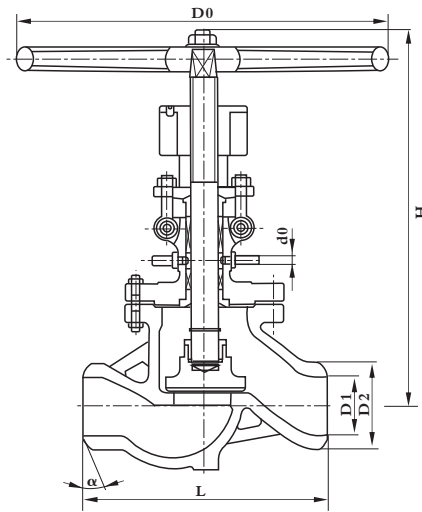


产品型号规格和外形尺寸 Product model, specification and outline dimension

型号 Type	规格(in) Specification	尺寸 Dimensions(mm)								W(Kg)
		L	D	D1	D2	b	Z-Φd	H	D0	
SJ41H-25	10	130	90	60	40	16	4-Φ14	272	120	6
	15	130	95	65	45	16	4-Φ14	272	120	6
	20	150	105	75	55	16	4-Φ14	280	120	6
	25	160	115	85	65	16	4-Φ14	332	160	10
	32	180	135	100	78	18	4-Φ18	342	160	11
	40	200	145	110	85	18	4-Φ18	395	200	17
	50	230	160	125	100	20	4-Φ18	431	240	24
	65	290	180	145	120	22	4-Φ18	457	280	33
	80	310	195	160	135	22	4-Φ18	505	320	47
	100	350	230	190	160	24	8-Φ23	549	360	62
	125	400	270	220	188	28	8-Φ25	621	400	96
	150	480	300	250	218	30	8-Φ25	703	400	128
200	600	360	310	278	34	12-Φ25	828	400	168	

产品型号规格和外形尺寸 Product model, specification and outline dimension

型号 Type	规格(in) Specification	尺寸 Dimensions(mm)										W(Kg)
		L	D	D1	D2	D6	b	f	Z-Φd	H	D0	
SJ4M1H-40	10	130	90	60	40	35	16	4	4-Φ14	272	120	6
	15	130	95	65	45	40	16	4	4-Φ14	272	120	6
	20	150	105	75	55	51	16	4	4-Φ14	280	120	6
	25	160	115	85	65	58	16	4	4-Φ14	332	160	10
	32	180	135	100	78	66	18	4	4-Φ18	342	160	11
	40	200	145	110	85	76	18	4	4-Φ18	395	200	17
	50	230	160	125	100	88	20	4	4-Φ18	431	240	24
	65	290	180	145	120	110	22	4	4-Φ18	457	280	33
	80	310	195	160	135	121	22	4	8-Φ18	505	320	47
	100	350	230	190	160	150	24	4.5	8-Φ23	549	360	62
	125	400	270	220	188	176	28	4.5	8-Φ25	621	400	96
	150	480	300	250	218	204	30	4.5	8-Φ25	703	400	128
	200	600	360	310	278	-	34	-	12-Φ25	-	-	203



产品型号规格和外形尺寸 Product model, specification and outline dimension

型号 Type	规格(in) Specification	尺寸 Dimensions(mm)							W(Kg)
		L	D1	D2	d0	α	H	D0	
SJ61Y-25	10	130	10	28	7.5	37.5	272	120	5
	15	130	15	41	7.5	37.5	272	120	6
	20	150	20	44	7.5	37.5	280	120	6
	25	160	25	52	11	37.5	332	160	8
	32	180	32	64	11	37.5	342	160	10
	40	200	40	75	11	37.5	395	200	16
	50	230	50	75	11	37.5	431	240	23
	65	290	65	103	11	37.5	457	280	32
	80	310	80	116	11	37.5	505	320	43
	100	350	100	140	11	37.5	549	360	58
	125	400	125	171	11	37.5	621	400	94
	150	480	150	198	11	37.5	705	400	119
200	600	200	254	11	37.5	828	400	165	
SJ61Y-40	10	130	10	28	7.5	37.5	272	120	5
	15	130	15	41	7.5	37.5	272	120	6
	20	150	20	44	7.5	37.5	280	120	7
	25	160	25	52	11	37.5	332	160	8
	32	180	32	64	11	37.5	342	160	10
	40	200	40	75	11	37.5	395	200	16
	50	230	50	75	11	37.5	431	240	23
	65	290	65	103	11	37.5	457	280	33
	80	310	80	116	11	37.5	505	320	46
	100	350	100	140	11	37.5	549	360	61
	125	400	125	171	11	37.5	621	400	95
	150	480	150	198	11	37.5	705	400	126
200	600	200	254	11	37.5	/	/	/	



磅级电站旋启式止回阀 Pound class steam power station swing check valve

标准与规范 Standard and specifications

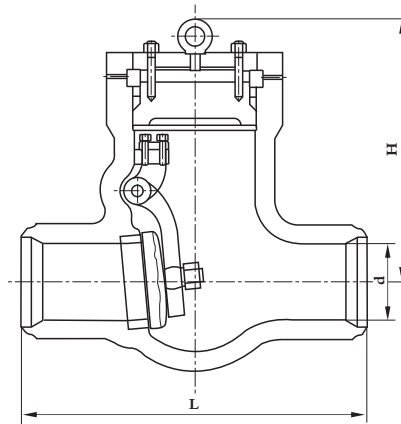
设计与制造 Design and manufacture	结构长度 Face-to-face length	焊接端 Welding end	试验与检验 Test and checking
E101、ANSI B16.34	E101、ANSI B16.10	ANSI B16.34或按用户要求 ANSI B16.34 or user's request	E101、API 598

性能规范 Property specifications

阀体材料 Body material	试验压力 PS (MPa) Test pressure						工作温度 (°C) working temperature	压力级 Class			适用介质 Suitable media
	1500Lb		2000Lb		2500Lb			1500Lb	2000Lb	2500Lb	
	阀体 Body	密封 Sealing	阀体 Body	密封 Sealing	阀体 Body	密封 Sealing		工作压力 (MPa) working pressure			
ASTM A216WCB	39.0	28.6	52.1	38.2	65.1	47.7	38	26.0	34.7	43.4	水、蒸汽 Water, steam
							427	14.5	19.3	24.1	
ASTM A217WC1	36.6	26.8	48.8	35.8	61.1	44.8	38	24.4	32.5	40.7	
							454	17.1	22.8	28.5	
ASTM A217WC6	39.6	29.0	52.8	38.7	65.9	48.3	38	26.4	35.2	43.9	
							552	6.3	8.45	10.6	
ASTM A217WC9	39.6	29.0	52.8	38.7	65.9	48.3	38	26.4	35.2	43.9	
							593	4.0	5.3	6.6	

主要零件材料 Material of main parts

零件名称 Name of parts	材 料 Material			
阀体 Body	WCB	WC1	WC6	WC9
阀盖 Bonnet	25	15CrMoA	12Cr1MoVA	12Cr1MoVA
阀瓣 Disc	WCB	WC1	WC6	WC9
摇杆 Arm	WCB	WC1	WC6	WC9
阀座 Seat	25	15CrMoA	12Cr1MoVA	12Cr1MoVA
销轴 Hinge pin	1Cr17Ni2		20Cr1Mo1V1A	
密封环 Sealing ring	增强柔性石墨 Reinforced soft graphite			



产品型号规格和外形尺寸 Product model, specification and outline dimension

型号 Type	规格(in) Specification	尺寸 Dimensions(mm)			W(Kg)
		d	L	H	
H64Y-1500Lb	2 1/2	56	254	282	57
	3	64	305	325	57
	4	84	406	350	80
	5	100	483	425	115
	6	126	559	400	180
	8	158	711	490	270
	10	200	864	540	430
	12	250	991	650	630
H64Y-2000Lb	2 1/2	50	330	240	40
	3	60	368	305	60
	4	80	457	315	95
	5	96	533	409	170
	6	118	610	465	186
	8	147	762	528	415
	10	180	914	613	658
	12	222	1041	680	1200
H64Y-2500Lb	3	54	368	297	44
	4	70	457	385	110
	5	86	533	410	130
	6	104	610	455	192
	8	130	762	557	466
	10	162	914	615	730
	12	210	1041	715	1120
	14	234	1118	790	1495
	18	304	1397	815	2400



国标电站旋启式止回阀 National standard steam power station swing check valve
 标准与规范 Standard and specifications

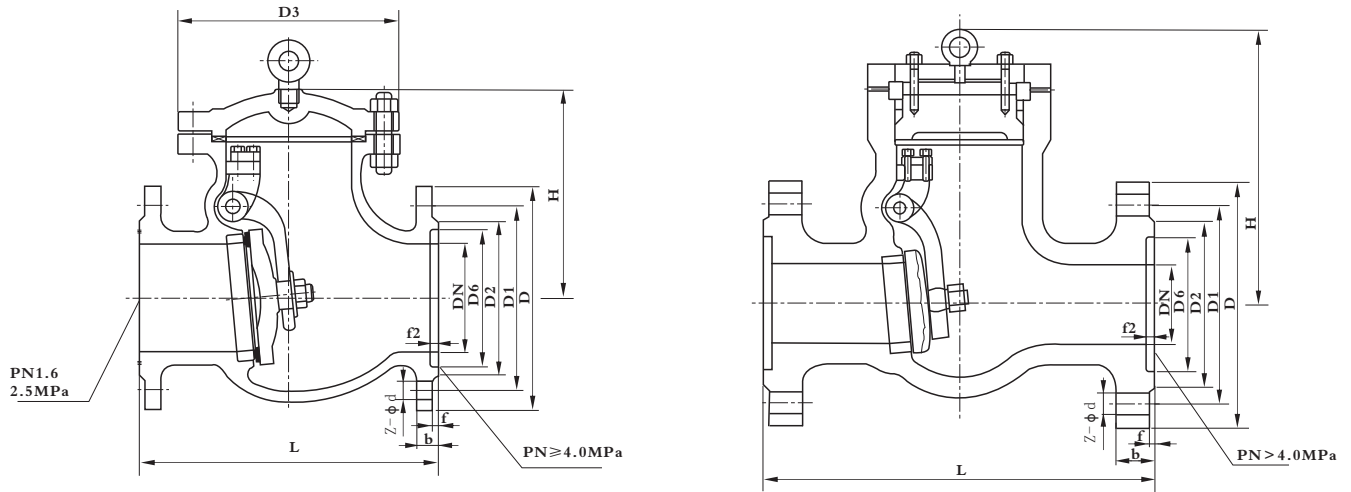
设计与制造 Design and manufacture	结构长度 Face-to-face length	连接法兰 Connection flange	试验与检验 Test and checking
GB/T 12236-1989	GB/T 12221-1989	JB/T 74~90、GB 9113-88 HG 20592-20635	JB/T 9092-1999 GB/T 13927-1992

性能规范 Property specifications

公称压力 Nominal pressure PN(MPa)	试验压力 PS (MPa) Test pressure		适用温度(°C) Suitable temperature				适用介质 Suitable media
	强度试验 Intensity test	密封试验 Sealing test	WCB	Cr5Mo	1Cr18Ni12Mo2Ti	1Cr18Ni9Ti	
1.6	2.4	1.8	≤425	≤550	≤200	≤200	水、蒸气、油品、 酸性介质 Water, steam, oil, medium such as acid
2.5	3.8	2.8					
4.0	6.0	4.4					
6.4	9.6	7.1			/		
10.0	15.0	11.0					
16.0	24.0	17.6					
25.0	37.5	27.5					

主要零件材料 Material of main parts

零件名称 Name of parts	材料 Material			
阀体 Body	WCB	ZGCr5Mo	ZG1Cr18Ni9Ti	ZG1Cr18Ni12Mo2Ti
阀盖 Bonnet	WCB	ZGCr5Mo	ZG1Cr18Ni9Ti	ZG1Cr18Ni12Mo2Ti
阀瓣 Disc	WCB	ZGCr5Mo	ZG1Cr18Ni9Ti	ZG1Cr18Ni12Mo2Ti
摇杆 Arm	WCB	ZGCr5Mo	ZG1Cr18Ni9Ti	ZG1Cr18Ni12Mo2Ti
阀座 Seat	25	1Cr18Ni9Ti	1Cr18Ni9Ti	1Cr18Ni12Mo2Ti
销轴 Hinge pin	1Cr17Ni2		1Cr18Ni9Ti	1Cr18Ni12Mo2Ti
密封环 Sealing ring	包覆垫 Jacketed gasket		1Cr18Ni9Ti	1Cr18Ni12Mo2Ti



产品型号规格和外形尺寸 Product model, specification and outline dimension

型号 Type	规格(in) Specification	尺寸 Dimensions(mm)									W(Kg)
		L	D	D1	D2	b	f	Z-φd	D3	H	
H44H-16C H44W-16R H44W-16P H44Y-16I	50	230	160	125	100	16	2	4-Φ18	185	160	22
	65	290	180	146	120	18	3	4-Φ18	215	177	26
	80	310	195	160	135	20	3	8-Φ18	235	187	33
	100	350	215	180	155	20	3	8-Φ18	255	202	39
	125	400	245	210	185	22	3	8-Φ18	285	227	557
	150	480	280	240	210	24	3	8-Φ23	330	263	80
	200	550	335	295	265	26	3	12-Φ23	385	293	95
	250	650	405	355	320	30	3	12-Φ25	455	330	175
	300	750	460	410	375	30	4	12-Φ25	515	382	260
	350	850	520	470	435	34	4	16-Φ25	545	430	360
H44H-25 H44W-25R H44W-25P H44Y-25I	50	230	160	125	100	20	3	4-Φ18	185	177	22
	65	290	180	145	120	22	3	8-Φ18	215	192	30
	80	310	195	160	135	22	3	8-Φ18	235	192	35
	100	350	230	190	160	24	3	8-Φ23	260	217	52
	125	400	245	220	188	28	3	8-Φ25	296	250	73
	150	480	300	300	218	30	3	8-Φ25	330	270	103
	200	550	360	350	276	34	3	12-Φ25	380	350	135
	250	650	425	370	332	36	3	12-Φ30	430	410	196
	300	750	485	430	390	40	4	16-Φ30	490	430	285
	350	850	550	490	448	44	4	16-Φ34	545	450	388
400	950	610	550	505	48	4	16-Φ34	600	560	496	
500	1150	730	660	610	52	4	20-Φ41	730	618	641	



产品型号规格和外形尺寸 Product model, specification and outline dimension

型号 Type	规格(in) Specification	尺寸 Dimensions(mm)											W(Kg)
		L	D	D1	D2	D6	b	f	f2	Z-Φd	D3	H	
H4M4H-40 H4M4W-40R H4M4W-40P H4M4Y-40I	50	230	160	125	100	88	20	3	4	4-Φ18	185	177	22
	65	290	180	145	120	110	22	3	4	8-Φ18	210	192	30
	80	310	195	160	135	121	22	3	4	8-Φ18	235	192	34
	100	350	230	190	160	150	24	3	4.5	8-Φ23	260	217	52
	125	400	270	220	188	176	28	3	4.5	8-Φ25	295	259	73
	150	480	300	250	218	204	30	3	4.5	8-Φ25	330	270	103
	200	550	375	320	282	260	38	3	4.5	12-Φ30	450	340	212
	250	650	445	385	345	313	42	3	4.5	12-Φ34	445	401	297
	300	750	510	450	408	364	46	4	4.5	16-Φ34	545	423	362
	350	850	570	510	465	422	52	4	5	16-Φ34	570	460	450
H4M4H-64 H4M4W-64R H4M4W-64P H4M4Y-64I	400	950	655	585	535	474	58	4	5	16-Φ41	625	490	585
	500	1150	755	670	612	576	62	4	5	20-Φ48	730	618	641
	50	300	175	125	105	88	26	3	4	4-Φ23	210	192	30
	65	340	200	160	130	110	28	3	4	8-Φ23	235	207	41
	80	380	210	170	140	121	30	3	4	8-Φ23	235	207	48
	100	430	250	200	168	150	32	3	4.5	8-Φ25	270	235	72
	125	500	295	240	202	170	36	3	4.5	8-Φ30	315	265	108
	150	550	340	280	240	204	38	3	4.5	8-Φ34	360	297	155
	200	650	405	345	300	260	44	3	4.5	12-Φ34	420	357	217
	250	775	470	400	352	313	48	3	4.5	12-Φ41	480	405	341
H4M4H-100 H4M4W-100R H4M4W-100P H4M4Y-100I	300	900	530	460	412	364	54	4	4.5	16-Φ41	560	465	472
	350	1025	595	525	475	422	60	4	5	16-Φ41	615	514	627
	400	1150	670	585	525	474	65	4	5	16-Φ48	675	568	882
	500	1400	800	705	640	576	70	4	5	20-Φ54	735	620	1027
	50	300	195	145	112	88	28	3	4	4-Φ25	210	192	41
	65	340	220	170	138	110	32	3	4	8-Φ25	235	207	48
	80	380	230	180	148	121	34	3	4	8-Φ25	260	235	72
	100	430	265	210	172	150	38	3	4.5	8-Φ30	295	265	108
	125	500	310	250	210	175	42	3	4.5	8-Φ34	335	313	130
	150	550	350	290	250	204	46	3	4.5	12-Φ34	425	360	217
H4M4H-160 H4M4W-160R H4M4W-160P H4M4Y-160I	200	650	430	312	312	260	54	3	4.5	12-Φ41	450	420	341
	250	775	500	382	382	313	60	3	4.5	12-Φ41	535	480	472
	50	300	215	165	132	88	36	3	4	8-Φ25	251	251	49
	65	340	245	190	152	110	44	3	4	8-Φ30	282	282	58
	80	380	260	205	168	121	46	3	4	8-Φ30	320	320	110
	100	430	300	240	200	150	48	3	4.5	8-Φ34	356	356	162
	125	500	355	285	238	176	60	3	4.5	8-Φ41	393	393	214
	150	550	390	318	270	204	66	3	4.5	12-Φ41	430	430	267
H4M4H-250 H4M4W-250R H4M4W-250P H4M4Y-250I	200	650	480	400	345	260	78	3	4.5	12-Φ48	470	470	318
	250	750	580	485	425	313	88	3	4.5	12-Φ54	514	514	370
	50	368	210	160	128	70	40	3	5	8-Φ25	310	310	63
	65	419	260	203	165	97	48	3	5	8-Φ30	346	346	78
	80	470	290	230	190	116	54	3	5	8-Φ34	385	385	92
	100	546	360	292	245	138	66	3	6	8-Φ41	406	406	168
	125	673	385	318	270	170	76	3	6	12-Φ41	534	534	220
	150	705	440	360	305	190	82	3	6	12-Φ45	560	560	270
200	832	535	440	380	245	92	3	6	12-Φ51	673	673	390	
250	991	670	572	508	319	110	3	6	16-Φ55	673	673	390	



国标电站升降式止回阀 National standard steam power station lift check valve

标准与规范 Standard and specifications

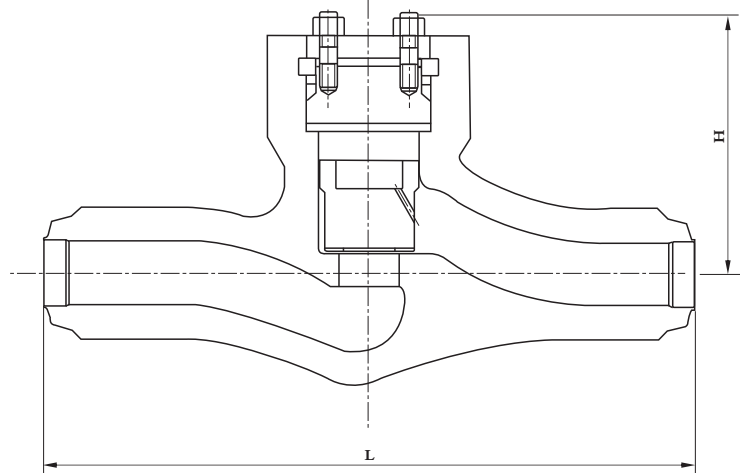
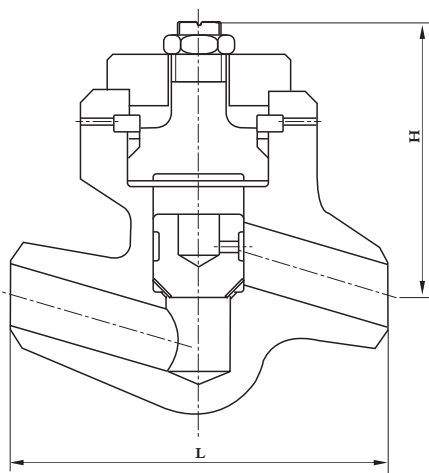
设计与制造 Design and manufacture	结构长度 Face-to-face length	焊接端 Welding end	试验与检验 Test and checking
E101、JB/T 3595-1993	E101、JB/T 2766-1992、GB/T 15188.1-1994	E101、JB/T 3595-1993	E101、JB/T 9092-1999

性能规范 Property specifications

公称压力PN(MPa) Nominal pressure	试验压力 (MPa) Test pressure		适用温度(°C) Suitable temperature	适用介质 Suitable media
	强度试验 Intensity test	密封试验 Sealing test		
25.0	37.5	27.5	≤425	水、蒸汽、油品 Water, steam, oil
32.0	48	35.2		
P ₅₄ 140V	42	15.4	≤540	
P ₅₄ 170V	48	18.7		
P ₅₇ 170V	63	18.7	≤570	

主要零件材料 Material of main parts

零件名称 Parts name	材 料 Material			
阀体 Body	25 WCB	12Cr1MoV	WC6	WC9
阀盖 Bonnet	25	12Cr1MoV		
阀瓣、阀座 Disc, seat	25 堆STL钴基硬质合金 25 building-up STL	12Cr1MoV堆STL钴基硬质合金 12Cr1MoV building-up STL		
密封环 Sealing ring	增强柔性石墨 Reinforced soft graphite			



产品型号规格和外形尺寸 Product model, specification and outline dimension

型号 Type	规格(in) Specification	尺 寸 Dimensions(mm)		W(Kg)
		L	H	
H61Y-250	10	120	156	2.5
	15	170	200	8.5
	20	170	210	9
61Y-320	25	170	210	10
	32	200	245	14
H61Y-P ₅₄ 140V	40	230	270	21
H61Y-P ₅₄ 170V	50	350	300	28
H61Y-P ₅₇ 170V	65	326	412	35
	80	470	370	56
	100	560	418	94